

Installation and User Instructions



Installation and User Instructions	2
Instrucciones de instalación y uso	24
Installations- und Bedienungsanleitung	46
Instructions d'installation et d'utilisation	68
Installatiehandleiding en gebruiksaanwijzing	90

Disclaimer

SpeedComfort makes no representations or warranties with respect to this manual and, to the maximum extent permitted by law, expressly limits its liability for breach of any warranty that may be implied to the replacement of this manual with another. Furthermore, SpeedComfort reserves the right to revise this publication at any time without incurring an obligation to notify any person of the revision.

The information provided in this documentation contains general descriptions and technical characteristics of the performance of the products contained herein. This documentation is not intended as a substitute for and is not to be used for determining suitability or reliability of these products for specific user applications. Neither SpeedComfort nor any of its affiliates or subsidiaries shall be responsible or liable for misuse of the information that is contained herein. If you have any suggestions for improvements or amendments or have found errors in this publication, please notify us.

Failure to observe this information can result in injury or equipment damage.

Copyright © 2021 by SpeedComfort

All rights reserved. No part of this publication may be reproduced, distributed, or transmitted in any form or by any means, including photocopying, recording, or other electronic or mechanical methods, without the prior written permission of the manufacturer. For permission requests, write to the publisher, addressed "Attention: Permissions Coordinator," at the address below.

SpeedComfort

Antwoordnummer 7200

3734 ZW Den Dolder

The Netherlands

Tel: +31 85 666 62 23

Email: info@speedcomfort.com

Website: www.speedcomfort.com

Table of Contents

1.	Preface	4
1.1.	Description of the User	4
1.2.	Conventions Used in this Manual	4
1.3.	Explanation of Safety Warnings	4
1.4.	Retaining Instructions	4
1.5.	Obtaining Documentation and Information	5
2.	Description of the Product	6
2.1.	Intended Use and Reasonably Foreseeable Misuse	6
2.2.	System Overview	6
2.3.	Technical Data	7
2.4.	Main components	8
3.	Safety Instructions	9
3.1.	How to Use the Product Safely	9
4.	Installation	11
4.1.	Determine the type of your radiator	11
4.2.	Connect the SpeedComfort to the Radiator	12
4.3.	Optimize the Central Heating	18
5.	Maintenance	19
5.1.	How to Maintain the SpeedComfort	19
6.	Troubleshooting	20
7.	Disposal	23
7.1.	Disposal of the Product	23
7.2.	Disposal of Packaging Waste	23

1. Preface

1.1. Description of the User

This installation manual is intended for the end-user, the general homeowner, who wants to install one or more SpeedComforts on the radiators in his home. The user does not need to be skilled, trained or certified to install the SpeedComfort.

1.2. Conventions Used in this Manual

The following style conventions are used in this document:

Bold

Names of product elements

Italic

Emphasis (for example a new term)

1.3. Explanation of Safety Warnings

CAUTION

Caution indicates a hazard with a low level of risk which, if not avoided, could result in minor or moderate injury.

NOTICE

Notice indicates information considered important, but not hazard-related.

1.4. Retaining Instructions

Read and understand this manual and its safety instructions before using this product.

Follow all the instructions. This will avoid fire, explosions, electric shocks or other hazards that may result in damage to property and/or injuries.

The product shall only be used by persons who have fully read and understand the contents of this user manual.

Ensure that each person who uses the product has read these warnings and instructions and follows them.

Keep all safety information and instructions for future reference and pass them on to subsequent users of the product.

The manufacturer is not liable for cases of material damage or personal injury caused by incorrect handling or non-compliance with the safety instructions. In such cases, the warranty will be voided.

1.5. Obtaining Documentation and Information

1.5.1. Internet

The latest version of the documentation is available at the following address:
https://www.speedcomfort.nl/media/downloads/SpeedComfort_manual.pdf

1.5.2. Ordering documentation

Documentation, user instructions and technical information can be ordered by calling SpeedComfort at +31 85 666 62 23.

1.5.3. Documentation feedback

If you are reading **SpeedComfort** product documentation on the internet, any comments can be submitted on the support website. Comments can also be sent to UKsupport@speedcomfort.com.

We appreciate your comments.

1.5.4. Support and service

For information, questions, technical assistance, service or ordering user instructions please contact:

SpeedComfort

Antwoordnummer 7200

3734 ZW Den Dolder

The Netherlands

Tel: +31 85 666 62 23

Website: www.speedcomfort.com

2. Description of the Product

2.1. Intended Use and Reasonably Foreseeable Misuse

The SpeedComfort is intended to be used as a ventilator that is intended to be attached to a radiator or convector, which is connected to the central heating system. The SpeedComfort is intended to draw heat from the radiator to help heat the room more effectively.

The product may only be used in accordance with the instructions described in this manual. Any use other than those described in this manual is considered as non-intended use. This will also invalidate the warranty.

2.2. System Overview

This product contains several components that form a system.

The SpeedComfort is the main component. The SpeedComfort is connected to a power adapter and a temperature sensor. For a *wide radiator* (plates 70 mm or more apart) this is all that is needed, except for some optional cables. For other radiators, simply reposition the magnetic sliders or feet:

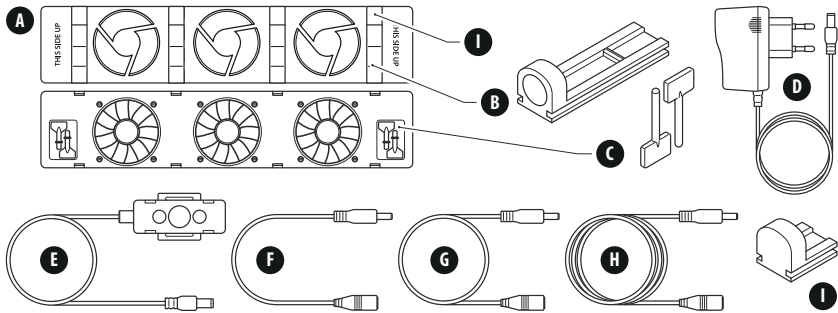
- For a *narrow radiator* (plates less than 70 mm apart), position the magnetic sliders with the magnet facing upwards, two on each side.
- For a *single plate radiator*, position the magnetic sliders with all four on one side and the magnet facing up.
- For a *convector*, position the four integrated feet in the holes provided on the underside of the SpeedComfort.

Additional SpeedComforts can be connected to each other making use of the cables (30 cm, 60 cm or 120 cm). These cables can also be used to extend the power adapter or temperature sensor cables.

2.3. Technical Data

Parameter	Unit
Product name	SpeedComfort
Technical lifespan: SpeedComfort	10 years
Technical lifespan: Power adapter	4 years
Power	0.55 W
Annual energy consumption	< 1 kWh
Noise level	< 20 dB(A)
Airflow	30 m ³ /hour
Width x length	7cm x 34cm
Output	12 V/DC
Power supply	100-240 V; 0.25 A 230 V AC
Operating temperature range	-20°C to +85°C
Storage temperature range	-40 °C to +85°C
Relative humidity during use and storage	max. 80% (non-condensing)

2.4. Main components



- A. SpeedComfort
- B. Adjustable magnets (4x)
- C. Feet (4x)
- D. Power adapter
- E. Temperature sensor (with Velcro)
- F. Connecting cable (included with Duoset, Trioset and Extension Set)
- G. 60 cm cable (optional)
- H. 120 cm cable (optional)
- I. Dummy blocks (4x - without function)

3. Safety Instructions

CAUTION

Read and understand this manual and its safety instructions before using the SpeedComfort and matching components.

3.1. How to Use the Product Safely

3.1.1. Safety information for vulnerable people

- Never leave children alone with packaging material. There is a risk of suffocation.
- Children should not play with the product. This product is not a toy.
- Do not install the product if you have reduced physical, sensory or mental capabilities.
- Do not allow installation of the product by persons (including children) with reduced physical, sensory or mental capabilities.

3.1.2. Safety information related to the intended use

- Use this product only as a radiator ventilator by attaching it to a radiator. Follow the instructions in this manual to do so.

3.1.3. Product limitations and restrictions

- Do not use any sharp objects near the fans.
- Keep the product away from open fire, soldering irons, or other hot tools as this could damage the product.

3.1.4. Installation safety information

- Lift, handle and transport the product with great care.
- Pay attention and be careful when installing an electrical product. Do not install the product if you are not able to concentrate properly, or if you may faint or if you are under the influence of medication, alcohol or drugs.
- Before connecting the power adapter to the wall socket, ensure that the local voltage corresponds to the value on the product. The maximum permissible voltage is 230 V.
- Connect the product to a properly installed and easily accessible wall socket. Make sure the product can be disconnected from the power supply at any time.

3.1.5. Safety information regarding the use

- Never use the product outdoors. The product is intended for indoor use only.
- Check all components (including cables) for any damages before installing the product. Immediately remove the power adapter from the wall socket in the event of visible damage, strong odour or overheating of the components.

3.1.6. Maintenance safety information

- Never touch the product or power adapter with wet hands.
- Keep the product away from moisture. Take care when cleaning the product or radiator to which it is attached. Make sure no water enters the product through the fans.

3.1.7. Service and repair safety information

- Do not attempt to open, modify or repair the product. Alterations or modifications of this product are not permitted. This will void the warranty.

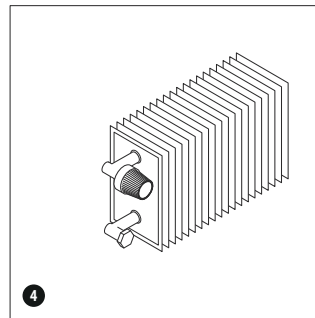
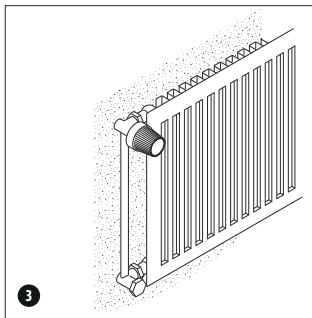
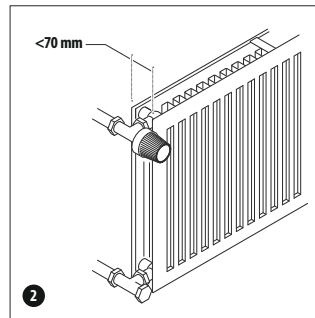
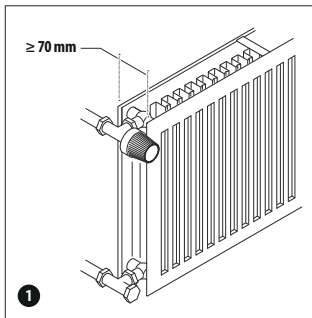
4. Installation

4.1. Determine the type of your radiator

The SpeedComfort can be installed on different types of radiators. Each type of radiator requires its own way of installation.

Determine the type of your radiator:

1. Determine the radiator types on which you want to install the **SpeedComfort**.



- 1 This is a radiator where the distance between the plates is 70 mm or more.
- 2 Narrow radiators are radiators where the distance between the plates is less than 70 mm.
- 3 Single plate radiators are radiators with only one plate.
- 4 Convectors are radiators where the hot water is circulated through a tube, surrounded by small fins. It is normally installed inside a convector housing or a convector duct.

4.2. Connect the SpeedComfort to the Radiator

The SpeedComfort can be installed on different types of radiators. Each type of radiator requires its own way of installation. Follow the specific installation steps for this type of radiator.

4.2.1. Connect the SpeedComfort to a wide radiator (plates ≥ 70 mm apart)

1. Make sure that the **SpeedComfort** (A) faces upwards and that the **female connectors** (1) point towards the wall socket (see fig. 1).

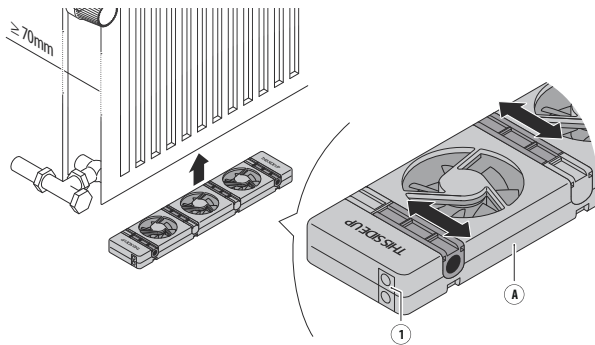


Fig. 1 - Position the SpeedComfort (A).

- Identify a space where the radiator wall brackets and connecting clips are not in the way. Attach the **SpeedComfort** (A) at the bottom between the radiator plates with the **adjustable magnets** (B) (see fig. 2). The **SpeedComfort** (A) can also be attached on top of the radiator and under a cover. **NOTICE** Make sure the **fans** still face upwards!

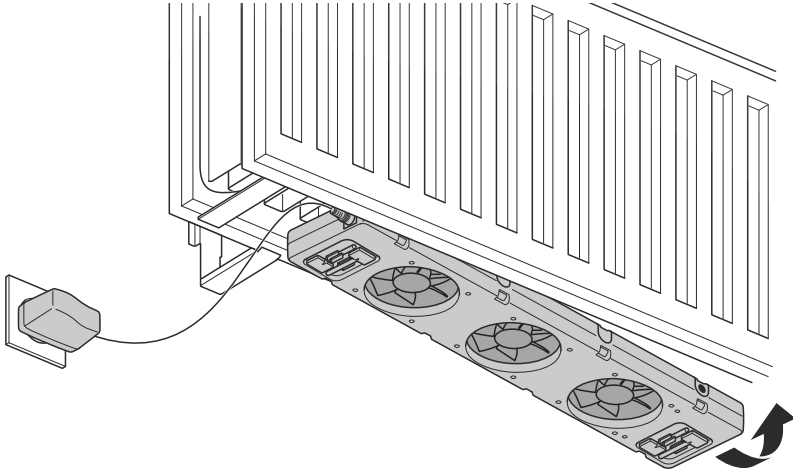


Fig. 2 - Attach the SpeedComfort (A).

- Connect the **temperature sensor cable** (E) to one of the **SpeedComfort** (A) **female connectors** (1).
- Attach the **temperature sensor** (E) with its adjustable magnets (B) on the back of the radiator, close to the warm water supply pipe, or on the pipe itself (see fig. 3). Adjust the magnetic sliders to the correct width.

5. Connect the **power adapter** (D) to the remaining **female connector** (1) and the wall socket (see fig. 3).

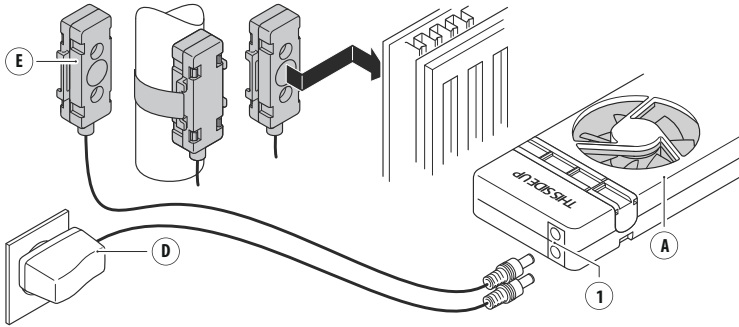


Fig. 3 - Connect the power adapter (D) and temperature sensor (E).

6. On long radiators, connect additional **SpeedComforts** (A) with the 30 cm **connecting cables** (F) (see fig. 4). Multiple **SpeedComforts** (A) (up to 20) can be connected to one **power adapter** (D). Additional **temperature sensors** (E) are not required. The DuoSet and the TrioSet include several **SpeedComforts**.

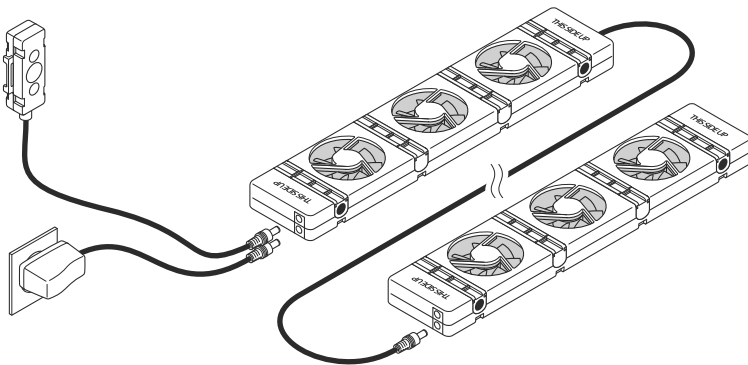


Fig. 4 - Connect additional SpeedComforts (A).

7. Turn on your central heating system. Wait for the **SpeedComfort** (A) to automatically switch on. This happens when the radiator temperature exceeds 33°C. It automatically switches off when the radiator cools down to 25°C.

4.2.2. Connect the SpeedComfort to a narrow radiator (plates < 70 mm apart)

1. Turn the **adjustable magnets (B)** until the **magnet (1)** is on top (see fig. 5). Remove the small block located opposite to the adjustable magnets in the housing. Please dispose of the block as plastic waste.
2. Adjust the **adjustable magnets (B)** to the correct width.
3. Repeat step 1 – 7 as for the wide radiator. Use the **adjustable magnets (B)** to hang the **SpeedComfort (A)** between the plates (see fig. 5 and 6). You can align the **SpeedComfort** on the front of the radiator.

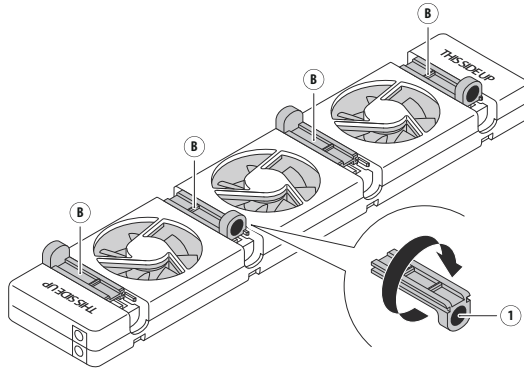


Fig. 5 - Return the adjustable magnets into the **SpeedComfort (A)**.

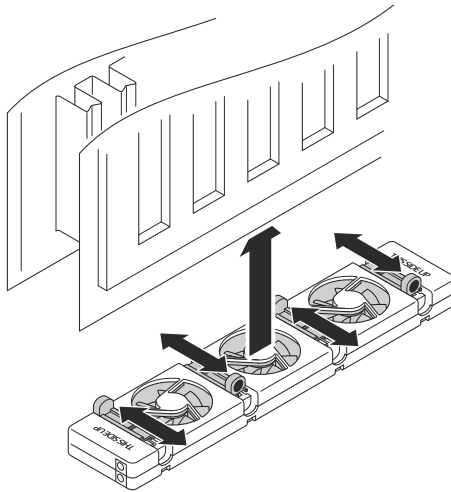


Fig. 6 - Hang the **SpeedComfort (A)** between radiator plates.

4.2.3. Connect the SpeedComfort to a Single plate radiator

1. Position the **adjustable magnets (B)** until the **magnets (1)** are on the same side and all four **magnets (1)** are facing up. Remove the small block located opposite to the adjustable magnets in the housing. Please dispose of the block as plastic waste.
2. Repeat step 1 – 7 as for the wide radiator.
3. Use the **adjustable magnets (B)** to attach the SpeedComfort (A) to the single plate radiator (see fig. 7).

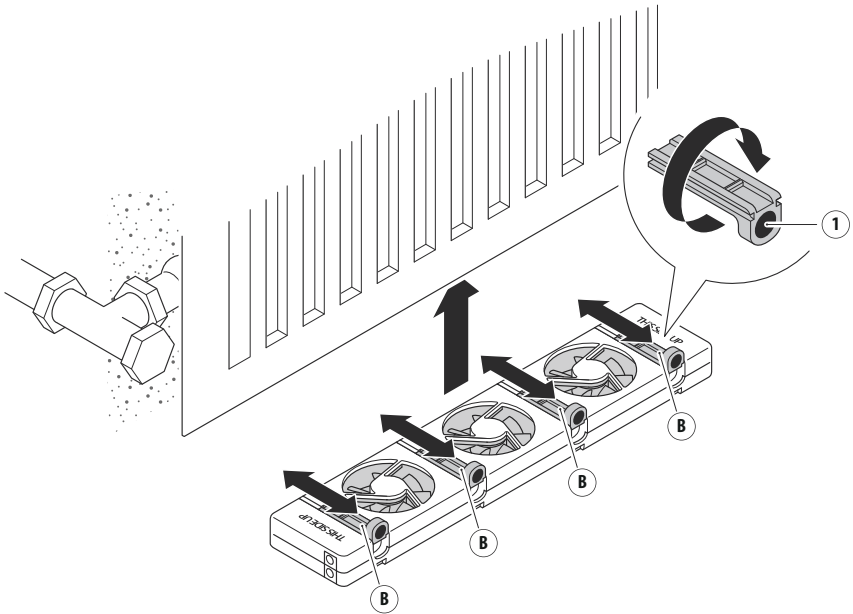


Fig. 7 - Attach the SpeedComfort (A) to a single plate radiator.

4.2.4. Connect the SpeedComfort to a convector

1. Attach the **feet (C)** by pushing them into the **slots (2)** of the **SpeedComfort (A)**.
2. Make sure that the **SpeedComfort (A)** faces upwards and that the **female connectors (1)** point towards the wall socket (see fig. 9).
3. Place the **SpeedComfort (A)** on top of the convector and allow space between the convector sides and the **SpeedComfort (A)** to reduce noise (see fig. 9). The SpeedComfort can also be placed on the ground below the convector if space allows.

4. If the convector block is made of magnetic material, the **temperature sensor (E)** can be easily positioned on it with its magnets. The temperature sensor can also be clamped between two plates of the convector block to ensure good heat transfer. The sensor can be attached to a copper pipe or any other non-magnetic location using the provided Velcro.

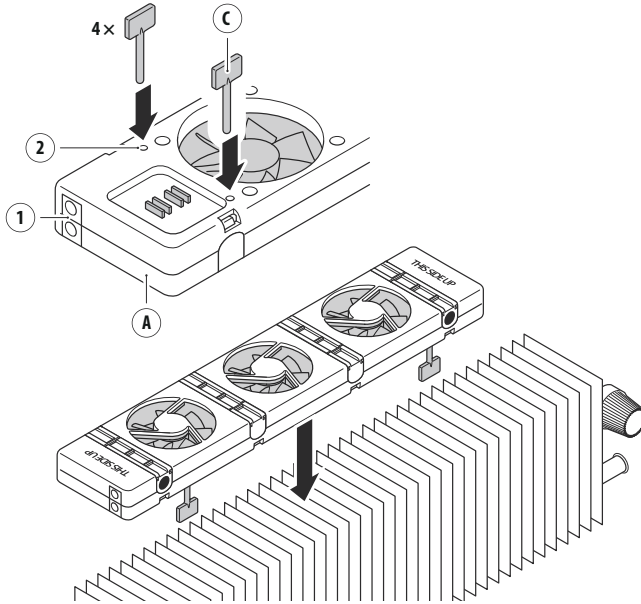


Fig. 8 - Attach a foot (C).

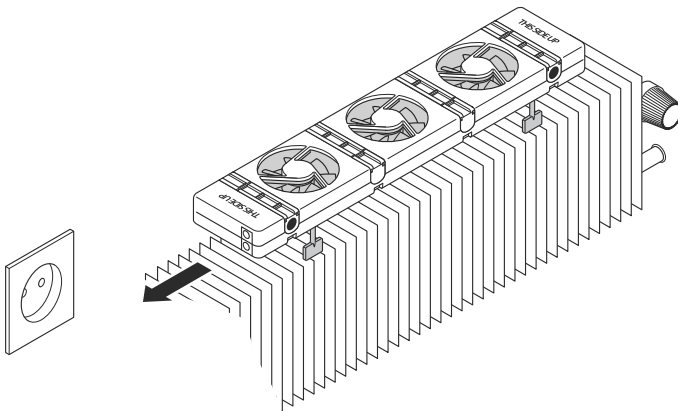


Fig. 9 - Position the **SpeedComfort (A)** on the convector.

4.3. Optimize the Central Heating

The SpeedComfort draws heat from the radiator, heating the room quicker and more evenly. This can reduce the energy usage in your house by up to 22%. However, to realize this saving, a few things need to be optimized: The SpeedComforts must be distributed throughout the house; the central heating temperature setpoint must be lowered; and the central heating system must be hydraulically balanced.

4.3.1. Distribute the SpeedComforts

1. Install 3 to 5 **SpeedComforts** (A) (with matching components) in an (average) living room.
2. Install **SpeedComforts** (A) in all regularly used rooms.

This ensures that all the air in the room circulates once per hour (since one SpeedComfort circulates 30 m³/h).

4.3.2. Lower the temperature setpoint

1. Manually lower the central heating setpoint temperature to at least 60°C. Refer to the manual of your central heating system or ask your service technician to do this. If preferred, this can be done in small steps to find the optimal setpoint. A lower setpoint saves more energy.
2. Make sure your central heating service technician does not change this back to factory settings (75 – 90°C).

The **SpeedComfort** draws heat from the radiator, heating the room more quickly. This allows the boiler to shut down sooner, saving energy.

4.3.3. Hydronic balancing

Balance the central heating system by making use of either the radiator screw, standard thermostat setting or a separate radiator valve. **CAUTION!**

Ask the central heating service technician to help with the central heating system hydronic balancing. This is not a standard procedure and requires expertise.

Hydronic balancing optimizes the distribution of water in a heating system. This is necessary for efficient use of energy and to ensure that room temperatures do not vary.

To learn more about saving energy and reducing losses visit: www.speedcomfort.com.

5. Maintenance

5.1. How to Maintain the SpeedComfort

5.1.1. Cleaning the product

The SpeedComfort and matching components can be cleaned if necessary.

To clean the product:

1. Clean the product with a vacuum cleaner, when dirty. **CAUTION!** Make sure to use the lowest power setting on the vacuum cleaner.
2. Clean the product with a damp cloth only if required. **CAUTION!** Make sure no water enters the SpeedComfort through the fans.

5.1.2. Replacing components

If any components break, they must be replaced. **CAUTION!** Do not attempt to open, modify or repair the product.

To replace components:

1. Exchange broken components, still under warranty, at the supplier. The SpeedComfort has a ten year guarantee and the power adapter has a 2 year warranty. **NOTICE** For safety- and control reasons (CE), alterations or modifications of this product are not permitted.
2. Dispose of broken components that are not under warranty and buy new components.

6. Troubleshooting

Problem	Cause	Solution
SpeedComfort (A) does not fit between the radiator plates.	It is a narrow radiator.	Follow the installation steps for Speedcomfort with a narrow radiator.
SpeedComfort (A) does not fit at the bottom of the radiator.	There is too little space.	Place the SpeedComfort (A) on top of the radiator. This will not influence performance. The bottom is only preferred as it is less visible. Make sure the SpeedComfort (A) still faces upwards.
The SpeedComfort (A) need to be attached at the top of the radiator, but the radiator has a cover.	NA	Place the SpeedComfort (A) underneath the cover. Keep in mind that this exposes the SpeedComfort (A) to higher temperatures, which may slightly limit its lifespan.
Cannot connect the SpeedComfort (A) to the wall socket.	The SpeedComfort (A) was placed with the two female connections on the wrong side or the power adapter cable (D) is not long enough.	Turn the SpeedComfort (A) around so that the two female connections face in the other direction or buy and connect the power adapter cable (D) to a longer cable (G or H) .
Cannot connect two SpeedComforts (A) with the supplied 30 cm long connecting cable (F) .	The distance is too big / cable is too short.	Buy an additional 60 cm or 120 cm long cable (G or H) to connect the SpeedComforts (A) .
The temperature sensor (E) cannot reach the warm water supply pipe.	The temperature sensor cable is too short.	Buy an additional 60 cm or 120 cm long cable (G or H) and connect to the temperature sensor cable . Else, the temperature sensor (E) may also be attached on the back of the radiator.

<p>Cannot fit the SpeedComfort (A) between the wall and single plate radiator.</p>	<p>The space is usually too small (less than 70 mm).</p>	<p>Follow the single plate radiator installation steps. If there is not enough space between the back of the radiator and the wall, please attach the feet (C) to the SpeedComfort (A) and position the product on the floor below the radiator.</p>
<p>SpeedComfort (A) did not switch on after it was connected to the wall socket.</p>	<p>The temperature sensor (E) is not registering 33°C or more or the SpeedComfort (A) is not receiving power.</p>	<ul style="list-style-type: none"> • Make sure the radiator is at least 33 degrees. • Make sure that temperature sensor (E) is attached to the warm water supply pipe or close by to this pipe on the radiator where it gets warm. • Make sure that the temperature sensor (E) makes proper contact. • If the radiator does not heat up properly, vent the central heating system and consider doing hydronic balancing. • Make sure that the wall socket works and that the power adapter (D) is properly inserted.
<p>Cannot attach the temperature sensor (E) to the convector.</p>	<p>Convectors, which are made from copper or aluminum, are not magnetic.</p>	<p>Attach the temperature sensor (E) with supplied Velcro or clamp the temperature sensor between two thin plates in the convector block.</p>
<p>The SpeedComfort (A) does not seem to increase the radiator heat output.</p>	<p>The SpeedComfort (A) may be facing downwards. This causes the air to flow in the wrong direction; against rather than with the flow.</p>	<p>Turn the SpeedComfort (A) over so that the SpeedComfort (A) is facing upwards. The top is the side where the fans are covered with three white protective strips.</p>

<p>Do not save 22% on the energy bill.</p>	<p>The central heating system is not optimized enough or the central heating system has been functioning optimally before installation of the SpeedComforts (A).</p>	<p>Optimize the central heating system (see section 4.3) by distributing the SpeedComforts (A), adjusting the temperature setpoint and ensuring hydronic balancing. If the central heating system has been functioning optimally before the installation of the SpeedComforts (A), it may not be possible to save 22%. User behavior can also have an impact on the maximum savings that can be achieved.</p>
<p>Old cast iron radiator or Single plate radiator with plat < 55 mm from wall.</p>	<p>Not one of the 4 types of radiators mentioned.</p>	<p>Attach the feet (C) to the SpeedComfort (A) and place on the floor under the radiator.</p>
<p>The SpeedComfort (A) makes too much noise when placed on the convector.</p>	<p>This may be contact noise.</p>	<p>Make sure the SpeedComfort (A) does not touch any metal pieces. For this reason the feet (C) should also be attached.</p>
<p>The SpeedComfort (A) does not switch off when the radiator is off / cold.</p>	<p>The temperature sensor (E) is not switching it off.</p>	<p>Make sure the SpeedComfort (A) is properly connected to a temperature sensor (E).</p>

You can find answers to frequently asked questions (FAQs) at www.speedcomfort.com.

7. Disposal

7.1. Disposal of the Product



The symbol on the product indicates that this product must not be treated as unsorted municipal waste, but must be collected separately! Dispose of the product via a collection point for the recycling of waste electrical and electronic equipment if you live within the EU and in other European countries that operate

separate collection systems for waste electrical and electronic equipment. By disposing of the product in the proper manner, you help to avoid possible hazards for the environment and public health that could otherwise be caused by improper treatment of waste equipment. The recycling of materials contributes to the conservation of natural resources. Therefore do not dispose of your old electrical and electronic equipment with the unsorted municipal waste.

7.2. Disposal of Packaging Waste

Dispose of the packaging through your local recycling facilities. By disposing of the packaging and packaging waste in the proper manner, you help to avoid possible hazards for the environment and public health.

Descargo de responsabilidad

SpeedComfort no hace ninguna representación o garantía con respecto a este manual y, en la medida máxima permitida por la ley, limita expresamente su responsabilidad por el incumplimiento de cualquier garantía que pueda estar implícita a la sustitución de este manual por otro. Además, SpeedComfort se reserva el derecho de revisar esta publicación en cualquier momento sin incurrir en la obligación de informar a nadie de la revisión.

La información proporcionada en este manual contiene descripciones generales y características técnicas del rendimiento de los productos aquí contenidos. Este manual no pretende sustituir ni debe utilizarse para determinar la idoneidad o fiabilidad de estos productos para aplicaciones específicas del usuario. Ni SpeedComfort ni ninguno de sus afiliados o subsidiarios serán responsables por el mal uso de la información aquí contenida. Si usted tiene alguna sugerencia para mejoras o enmiendas o ha encontrado errores en esta publicación, por favor notifíquenoslo.

El incumplimiento de esta información puede causar lesiones o daños al equipo.

Copyright © 2021 por SpeedComfort

Todos los derechos reservados. Ninguna parte de esta publicación puede ser reproducida, distribuida o transmitida en ninguna forma ni por ningún medio, incluyendo fotocopias, grabaciones u otros métodos electrónicos o mecánicos, sin el permiso previo por escrito del fabricante. Para solicitudes de permiso, escriba al editor, dirigido a «Atención: Coordinador de Permisos», en la dirección abajo.

SpeedComfort

Antwoordnummer 7200

3734 ZW Den Dolder

Países Bajos

Tel.: +31 85 666 62 23

Correo electrónico: info@speedcomfort.com

Página web: www.speedcomfort.com

Tabla de contenidos

1.	Prefacio	26
1.1.	Descripción del usuario	26
1.2.	Convenciones utilizadas en este manual	26
1.3.	Explicación de las advertencias de seguridad	26
1.4.	Conservación de las instrucciones	26
1.5.	Obtención de documentación e información	27
2.	Descripción del producto	28
2.1.	Uso previsto y uso indebido razonablemente previsible	28
2.2.	Descripción general del sistema	28
2.3.	Especificaciones técnicas	29
2.4.	Componentes principales	30
3.	Instrucciones de seguridad	31
3.1.	Cómo usar el producto con seguridad	31
4.	Instalación	33
4.1.	Determinar el tipo de su radiador	33
4.2.	Conectar el SpeedComfort al radiador	34
4.3.	Optimizar la calefacción central	40
5.	Mantenimiento	41
5.1.	Cómo realizar el mantenimiento del SpeedComfort	41
6.	Solución de problemas	42
7.	Eliminación	45
7.1.	Eliminación del producto	45
7.2.	Eliminación de los residuos de embalaje	45

1. Prefacio

1.1. Descripción del usuario

Este manual de instalación está destinado al usuario final, al propietario de la vivienda en general, que desea instalar uno o más SpeedComforts en los radiadores de su casa. El usuario no necesita ser experto, haber sido instruido o certificado para instalar el SpeedComfort.

1.2. Convenciones utilizadas en este manual

En este documento se utilizan las siguientes convenciones de estilo:

Negrita

Nombre de productos y elementos

Cursiva

Énfasis (por ejemplo, un término nuevo)

1.3. Explicación de las advertencias de seguridad

ATENCIÓN

Atención indica un peligro con un bajo nivel de riesgo que, si no se evita, podría provocar lesiones leves o moderadas.

AVISO

Aviso indica una información considerada importante, pero que no presenta peligro.

1.4. Conservación de las instrucciones

Lea y comprenda este manual y sus instrucciones de seguridad antes de usar este producto.

Siga todas las instrucciones. Así se evitarán incendios, explosiones, descargas eléctricas y otros peligros que pueden provocar daños en la propiedad y/o lesiones.

El producto solo debe ser utilizado por personas que hayan leído y comprendido completamente el contenido de este manual de usuario.

Asegúrese de que todas las personas que utilicen el producto hayan leído estas advertencias e instrucciones y las sigan.

Guarde toda la información de seguridad y las instrucciones para futuras referencias y entréguelas a los usuarios posteriores del producto.

El fabricante no se hace responsable de los daños materiales o las lesiones personales que se deriven de una manipulación incorrecta o del incumplimiento de las instrucciones de seguridad. En tales casos, quedará anulada la garantía.

1.5. Obtención de documentación e información

1.5.1. Internet

La última versión de la documentación está disponible en la siguiente dirección:
https://www.speedcomfort.nl/media/downloads/SpeedComfort_manual.pdf

1.5.2. Solicitud de documentación

Puede solicitar documentación, instrucciones de uso e información técnica llamando a SpeedComfort al +31 85 666 62 23.

1.5.3. Comentarios sobre la documentación

Si está leyendo la documentación del producto **SpeedComfort** en Internet, puede enviarnos sus comentarios a través de la página web de asistencia. También se pueden enviar comentarios a support@speedcomfort.com.

Apreciamos sus comentarios.

1.5.4. Asistencia y servicio

Para información, preguntas, asistencia técnica, servicio o pedido de instrucciones para el usuario, póngase en contacto con nosotros:

SpeedComfort

Antwoordnummer 7200

3734 ZW Den Dolder

Países Bajos

Tel.: +31 85 666 62 23

Página web: www.speedcomfort.com

2. Descripción del producto

2.1. Uso previsto y uso indebido razonablemente previsible

El SpeedComfort está destinado a ser utilizado como un ventilador que debe fijarse a un radiador o convector conectado al sistema de calefacción central. El SpeedComfort está diseñado para extraer el calor del radiador y ayudar a calentar la habitación de forma más eficaz.

El producto solo debe utilizarse de acuerdo con las instrucciones que se detallan en este manual. Cualquier otro uso distinto al descrito en este manual será considerado indebido. Esto también invalidará la garantía.

2.2. Descripción general del sistema

Este producto contiene varios componentes que forman un sistema.

El SpeedComfort es el componente principal. El SpeedComfort está conectado a un adaptador de corriente y a un sensor de temperatura. Con un *radiador ancho* (placas separadas 70 mm o más) esto es todo lo que se necesita, excepto algunos cables opcionales. Con otros radiadores, simplemente deben reposicionarse las guías magnéticas o los pies:

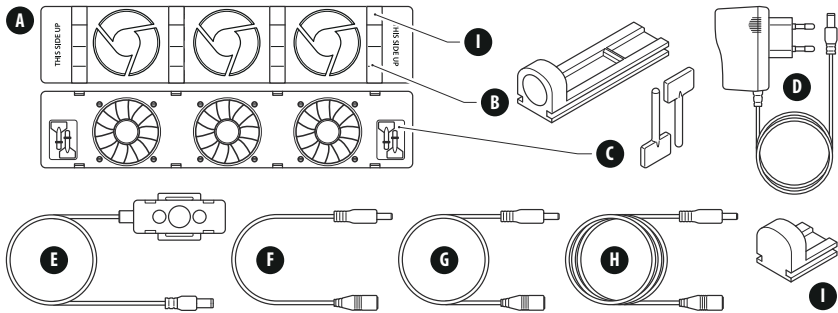
- Con un *radiador estrecho* (placas a menos de 70 mm de separación), coloque las guías magnéticas con el imán hacia arriba, dos a cada lado.
- Con un *radiador de placa única* coloque las guías magnéticas con los cuatro pies en un lado con el imán hacia arriba.
- Con un *convector* coloque los cuatro pies integrados en los orificios provistos en la parte inferior del SpeedComfort.

SpeedComforts adicionales se pueden conectar entre sí haciendo uso de los cables (30 cm, 60 cm o 120 cm). Estos cables también se pueden utilizar para extender el adaptador de alimentación o los cables del sensor de temperatura.

2.3. Especificaciones técnicas

Parámetro	Unidad
Nombre del producto	SpeedComfort
Vida útil técnica: SpeedComfort	10 años
Vida útil técnica: Adaptador de alimentación	4 años
Alimentación	0,55 W
Consumo de energía anual	< 1 kWh
Nivel de ruido	< 20 dB(A)
Flujo de aire	30m ³ /hora
Anchura x longitud	7cm x 34cm
Potencia	12 V/DC
Alimentación	100-240 V; 0,25 A 230 V AC
Rango de temperatura de funcionamiento	de -20 °C a +85 °C
Rango de temperatura de almacenamiento	de -40 °C a +85 °C
Humedad relativa durante el uso y almacenamiento	máx. 80% (no condensante)

2.4. Componentes principales



- A. SpeedComfort
- B. Imanes ajustables (4x)
- C. Pies (4x)
- D. Adaptador de alimentación
- E. Sensor de temperatura (con velcro)
- F. Cable de conexión (incluido con DuoSet, TrioSet y Extension Set)
- G. Cable de 60 cm (opcional)
- H. Cable de 120 cm (opcional)
- I. Bloques ficticios (4x - no tienen una función)

3. Instrucciones de seguridad

ATENCIÓN

Lea y comprenda este manual y sus instrucciones de seguridad antes de utilizar el SpeedComfort y los componentes correspondientes.

3.1. Cómo usar el producto con seguridad

3.1.1. Información de seguridad para personas vulnerables

- Jamás deje a los niños solos con el material de embalaje. Existe riesgo de asfixia.
- Los niños no deben jugar con el producto. Este producto no es un juguete.
- No instale el producto si tiene capacidades físicas, sensoriales o mentales reducidas.
- No permita la instalación del producto a personas (incluidos niños) con capacidades físicas, sensoriales o mentales reducidas.

3.1.2. Indicaciones de seguridad relativas al uso previsto

- Utilice este producto solo como ventilador de radiador fijándolo a un radiador. Para ello, siga las instrucciones de este manual.

3.1.3. Limitaciones y restricciones del producto

- No utilice objetos afilados cerca de los ventiladores.
- Mantenga el producto alejado de fuego abierto, soldadores u otras herramientas calientes, ya que esto podría dañar el producto.

3.1.4. Indicaciones de seguridad para la instalación

- Levante, manipule y transporte el producto con mucho cuidado.
- Preste atención y tenga cuidado al instalar un producto eléctrico. No instale el producto si no puede concentrarse correctamente, si puede desmayarse o si está bajo los efectos de medicamentos, alcohol o drogas.
- Antes de conectar el adaptador de alimentación a la toma de corriente, asegúrese de que la tensión local coincida con el valor del producto. La tensión máxima admisible es de 230 V.
- Conecte el producto a una toma de corriente bien instalada y de fácil acceso. Asegúrese de que el producto pueda ser desconectado de la alimentación en cualquier momento.

3.1.5. Indicaciones de seguridad para el uso

- Nunca utilice el producto al aire libre. Este producto ha sido diseñado para ser utilizado solo en interiores.
- Antes de instalar el producto, compruebe si todos los componentes (incluidos los cables) presentan daños. Retire inmediatamente el adaptador de alimentación de la toma de corriente en caso de daños visibles, olores fuertes o sobrecalentamiento de los componentes.

3.1.6. Indicaciones de seguridad para el mantenimiento

- No toque nunca el producto o el adaptador de alimentación con las manos mojadas.
- Mantenga el producto alejado de la humedad. Tenga cuidado al limpiar el producto o el radiador al que está fijado. Asegúrese de que no entre agua en el producto a través de los ventiladores.

3.1.7. Indicaciones de seguridad para el mantenimiento y la reparación

- No intente abrir, modificar o reparar el producto. Las alteraciones o modificaciones de este producto no están permitidas. Esto anulará la garantía.

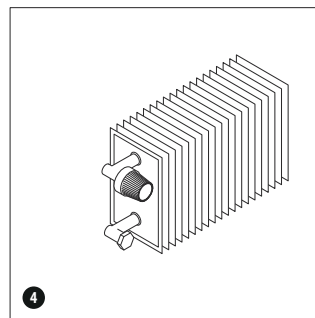
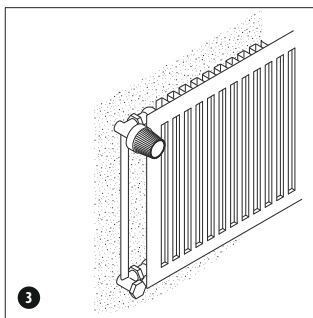
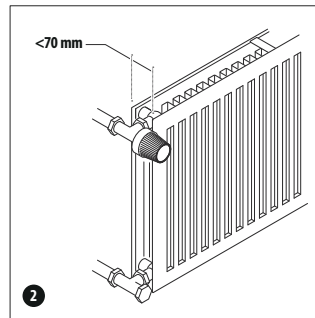
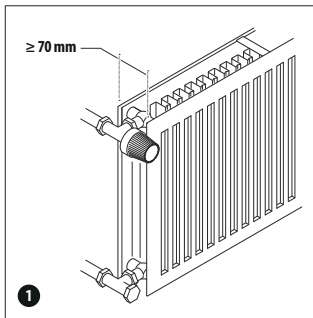
4. Instalación

4.1. Determinar el tipo de su radiador

El SpeedComfort se puede instalar en diferentes tipos de radiadores. Cada tipo de radiador requiere su propia forma de instalación.

Determinar el tipo de su radiador:

1. Determine los tipos de radiadores en los que desea instalar el **SpeedComfort**.



- 1 Este es un radiador en el que la distancia entre las placas es de 70 mm o más.
- 2 Los radiadores estrechos, son aquellos radiadores en los que la distancia entre las placas es inferior a 70 mm.
- 3 Los radiadores de placa única son aquellos con una sola placa.
- 4 Los conveectores son radiadores donde el agua caliente circula por un tubo rodeado de pequeñas aletas. Normalmente se instala dentro de una caja de convección o de un conducto de convección.

4.2. Conectar el SpeedComfort al radiador

El SpeedComfort se puede instalar en diferentes tipos de radiadores. Cada tipo de radiador requiere su propia forma de instalación. Siga los pasos de instalación específicos para este tipo de radiador.

4.2.1. Conectar el SpeedComfort a un radiador ancho (placas a ≥ 70 mm entre sí)

1. Asegúrese de que el **SpeedComfort** (A) esté orientado hacia arriba y de que los **conectores hembra** (1) estén orientados hacia la toma de corriente (véase fig. 1).

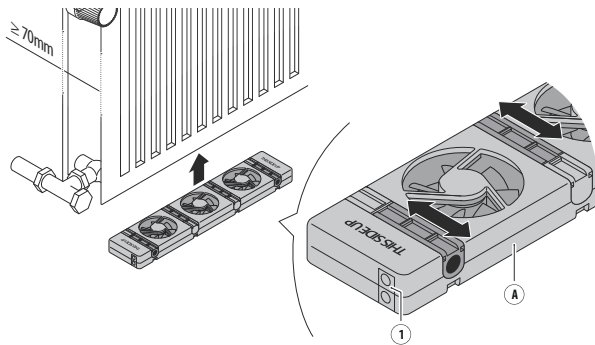


Fig. 1: Posición del SpeedComfort (A).

- Identifique un espacio donde los soportes de pared del radiador y los clips de conexión no estén en medio. Fije el **SpeedComfort** (A) en la parte inferior entre las placas del radiador con los **imanes ajustables** (B), (véase fig. 2). El **SpeedComfort** (A) también se puede montar en la parte superior del radiador y bajo una cubierta. **AVISO:** ¡Asegúrese de que los **ventiladores** sigan mirando hacia arriba!

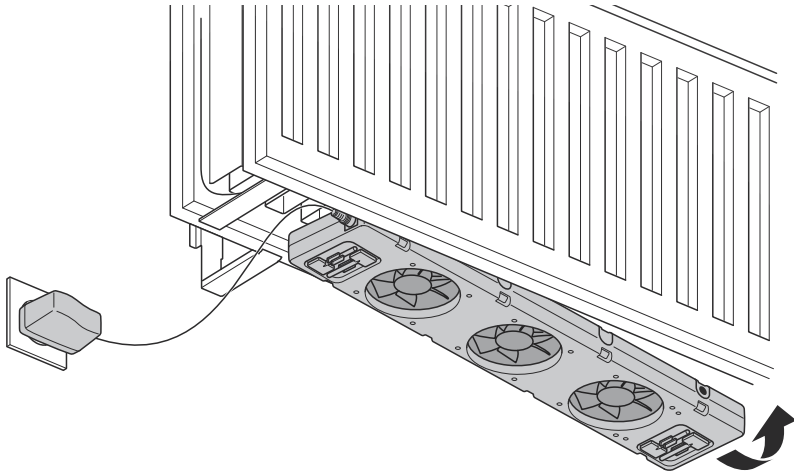


Fig. 2: Fijación del SpeedComfort (A).

- Conecte el cable del **sensor de temperatura** (E) a uno de los **conectores hembra** (1) del **SpeedComfort** (A).
- Fije el **sensor de temperatura** (E) con sus imanes ajustables (B) en la parte posterior del radiador, cerca de la tubería de suministro de agua caliente, o en la propia tubería (véase fig. 3). Ajuste las guías magnéticas al ancho correcto.

5. Conecte el **adaptador de alimentación (D)** al **conector hembra restante (1)** y a la toma de corriente (véase fig. 3).

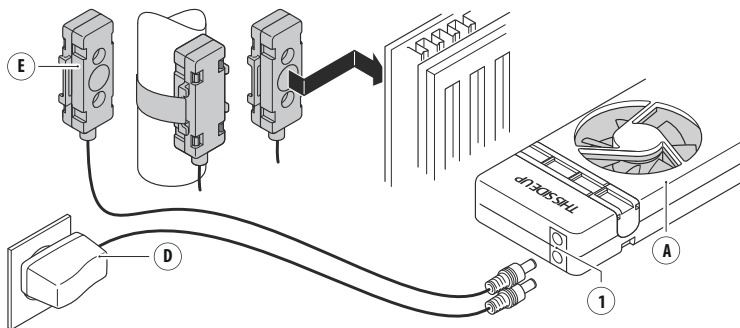


Fig. 3: Conexión del adaptador de alimentación (D) y del sensor de temperatura (E).

6. En radiadores largos, conecte **SpeedComforts (A)** adicionales con los **cables de conexión** de 30 cm (F) (véase fig. 4). Múltiples **SpeedComforts (A)** (hasta 20) pueden conectarse a más de un **adaptador de alimentación (D)**. No son necesarios **sensores de temperatura (E)** adicionales. El DuoSet y el TrioSet contienen varios dispositivos **SpeedComfort**.

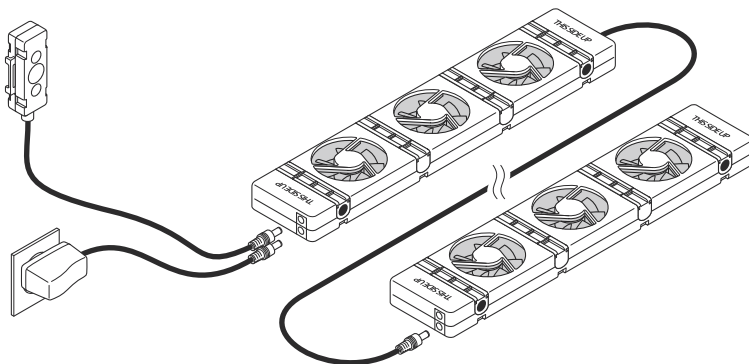


Fig. 4: Conexión adicional de SpeedComforts (A).

7. Encienda su sistema de calefacción central. Espere a que el **SpeedComfort (A)** se encienda automáticamente. Esto ocurre cuando la temperatura del radiador supera los 33 °C. Se apaga automáticamente cuando el radiador se enfría hasta 25 °C.

4.2.2. Conectar el SpeedComfort a un radiador estrecho (placas a < 70 mm entre sí)

1. Gire los **imanes ajustables** (B) de modo que el **imán** (1) quede en la parte superior (véase Fig. 5). Retire el bloque que está enfrente de los imanes ajustables en la carcasa. Desechar el bloque como residuo plástico.
2. Ajuste los **imanes ajustables** (B) al ancho correcto.
3. Repita los pasos 1-7 como para el radiador ancho. Utilice los **imanes ajustables** (B) para colgar el **SpeedComfort** (A) entre las placas (véanse las fig. 5 y 6). Puede alinear el **SpeedComfort** en la parte frontal del radiador.

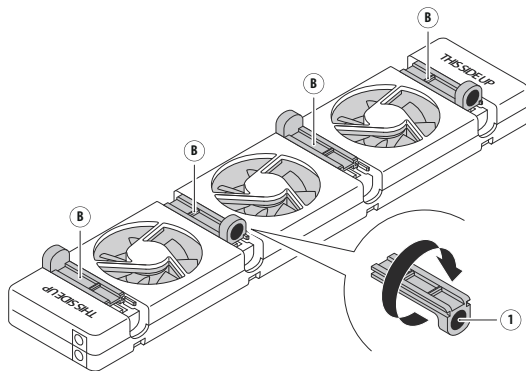


Fig. 5 - volver a posicionar los imanes ajustables en el **SpeedComfort** (A).

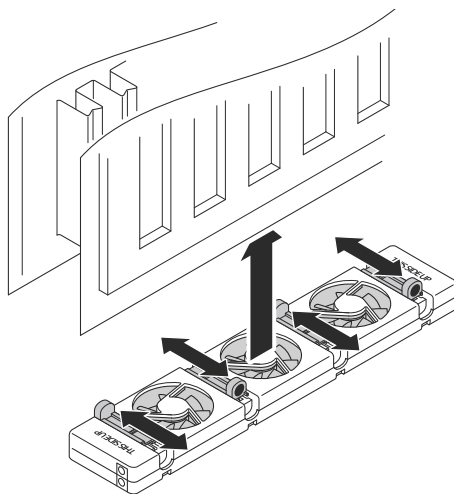


Fig. 6: Enganche del **SpeedComfort** (A) entre las placas del radiador.

4.2.3. Conectar el SpeedComfort a un radiador de placa única

1. Coloque los **imanes ajustables** (B) de modo que los **imanes** (1) estén en el mismo lado y los cuatro **imanes** (1) apunten hacia arriba. Retire el bloque que está enfrente de los imanes ajustables en la carcasa. Desechar el bloque como residuo plástico.
2. Repita los pasos 1-7 como para el radiador ancho.
3. Utilice los **imanes ajustables** (B) para sujetar el SpeedComfort (A) al radiador de placa única (véase fig. 7).

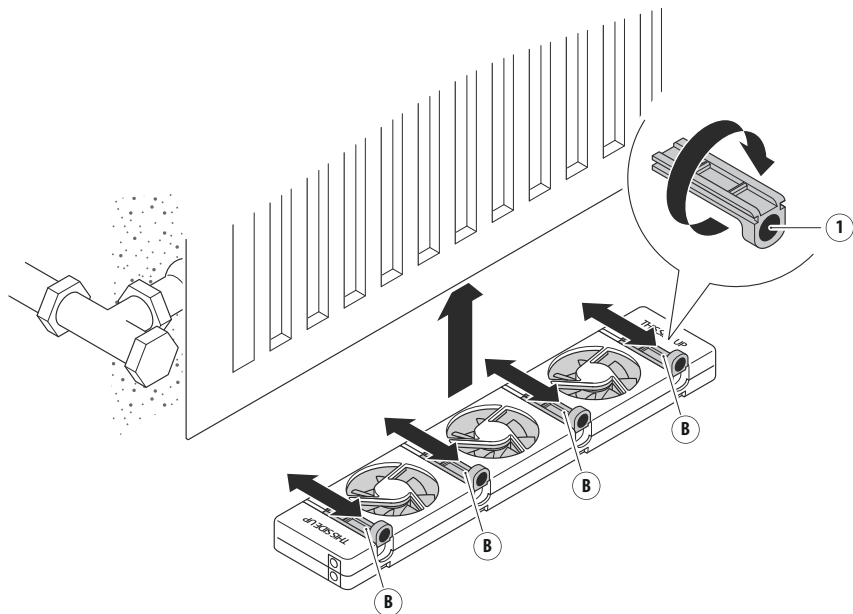


Fig. 7: Sujetar el SpeedComfort (A) a un radiador de placa única.

4.2.4. Conectar el SpeedComfort a un convector

1. Coloque los **pies** (C) presionándolos en las **ranuras** (2) del **SpeedComfort** (A).
2. Asegúrese de que el **SpeedComfort** (A) esté orientado hacia arriba y de que los **conectores hembra** (1) estén orientados hacia la toma de corriente (véase fig. 9).
3. Coloque el **SpeedComfort** (A) en la parte superior del convector y deje espacio entre los lados del convector y el **SpeedComfort** (A) para reducir el ruido (véase fig. 9). El SpeedComfort también puede colocarse en el suelo bajo el convector si el espacio lo permite.

4. Si el bloque convector está hecho de material magnético, el **sensor de temperatura (E)** con sus imanes simplemente se puede colocar sobre él. Para una buena transferencia de calor, el sensor de temperatura también se puede sujetar entre dos placas del bloque convector. El sensor se puede fijar a un tubo de cobre o a otra ubicación no magnética utilizando el velcro suministrado.

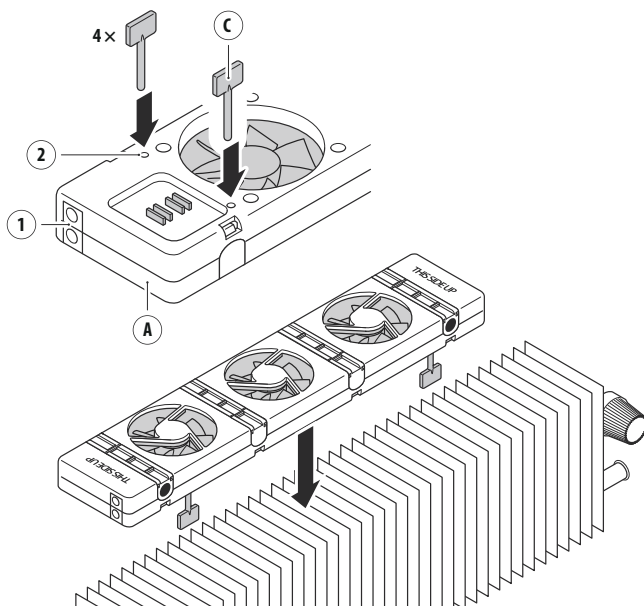


Fig. 8: Conexión de un pie (C).

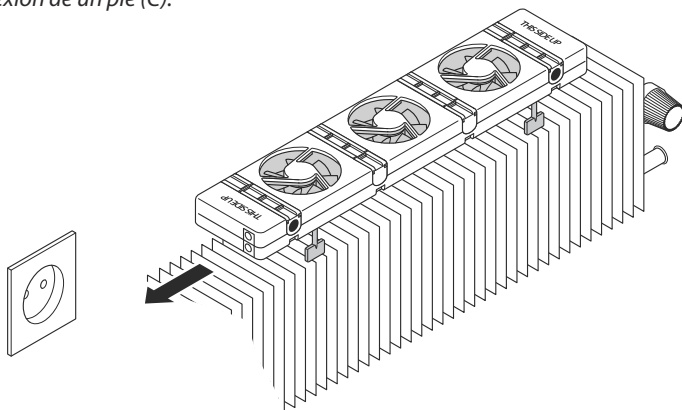


Fig. 9: Posición del **SpeedComfort (A)** en el convector.

4.3. Optimizar la calefacción central

El SpeedComfort extrae el calor del radiador, calentando la habitación de forma más rápida y uniforme. Esto puede reducir el uso de energía en su casa hasta en un 22%. Sin embargo, para realizar este ahorro, se tienen que optimizar algunas cosas: los SpeedComforts deben distribuirse por toda la casa, el punto de ajuste de la temperatura de la calefacción central debe reducirse y el sistema de calefacción central debe estar equilibrado hidrónicamente.

4.3.1. Distribución de los SpeedComforts

1. Instale de 3 a 5 **SpeedComforts** (A) (con los componentes adecuados) en una sala de estar (media).
2. Instale los **SpeedComforts** (A) en todas las habitaciones de uso habitual.

Esto asegura que todo el aire de la habitación circule una vez por hora (ya que un SpeedComfort circula 30 m³/h).

4.3.2. Reducción del punto de ajuste de temperatura

1. Baje manualmente el punto de ajuste de la temperatura de la calefacción central a por lo menos 60 °C. Consulte el manual de su sistema de calefacción central o pídale a su técnico de servicio que lo haga. Si se prefiere, esto se puede hacer en pequeños pasos para encontrar el punto de ajuste óptimo. Un punto de ajuste más bajo ahorra más energía.
2. Asegúrese de que el técnico del servicio de calefacción central no lo cambie a los ajustes de fábrica (75-90 °C).

El **SpeedComfort** extrae el calor del radiador, calentando la habitación de forma más rápida. Esto permite que la caldera se apague antes, ahorrando energía.

4.3.3. Equilibrado hidráulico

Equilibre el sistema de calefacción central utilizando el tornillo del radiador, el ajuste del termostato estándar o una válvula separada del radiador. **¡ATENCIÓN!** Pida ayuda al técnico del servicio de calefacción central para que le ayude a realizar el equilibrado hidráulico del sistema de calefacción central. Este no es un procedimiento estándar y requiere experiencia.

El equilibrado hidráulico optimiza la distribución del agua en un sistema de calefacción. Esto es necesario para un uso eficiente de la energía y para garantizar que la temperatura ambiente no varíe.

Para obtener más información sobre el ahorro de energía y la reducción de pérdidas, visite www.speedcomfort.com.

5. Mantenimiento

5.1. Cómo realizar el mantenimiento del SpeedComfort

5.1.1. Limpieza del producto

El SpeedComfort y los componentes correspondientes se pueden limpiar si es necesario.

Para limpiar el producto:

1. Limpie el producto con una aspiradora cuando esté sucio. **¡ATENCIÓN!** Asegúrese de utilizar el ajuste de potencia más bajo de la aspiradora.
2. Limpie el producto con un paño húmedo solo si es necesario. **¡ATENCIÓN!** Asegúrese de que no entre agua en SpeedComfort a través de los ventiladores.

5.1.2. Sustitución de los componentes

Si algún componente se rompe, debe ser reemplazado. **¡ATENCIÓN!** No intente abrir, modificar o reparar el producto.

Para sustituir los componentes:

1. Cambie los componentes rotos, aún bajo garantía, con el proveedor. SpeedComfort tiene una garantía de diez años y el adaptador de corriente tiene una garantía de 2 años. **AVISO:** Por razones de seguridad y control (CE), no se permiten alteraciones ni modificaciones de este producto.
2. Deseche los componentes rotos que no estén cubiertos por la garantía y compre componentes nuevos.

6. Solución de problemas

Problema	Causa	Solución
SpeedComfort (A) no encaja entre las placas del radiador.	Es un radiador estrecho.	Siga los pasos de instalación del Speedcomfort con un radiador estrecho.
SpeedComfort (A) no cabe en la parte inferior del radiador.	Hay demasiado poco espacio.	Coloque el SpeedComfort (A) en la parte superior del radiador. Esto no influirá en el rendimiento. Solo se prefiere el fondo debido a que es menos visible. Asegúrese de que el SpeedComfort (A) siga mirando hacia arriba.
SpeedComfort (A) debe fijarse en la parte superior del radiador, pero el radiador tiene una cubierta.	NA	Coloque el SpeedComfort (A) debajo de la cubierta. Tenga en cuenta que esto expone al SpeedComfort (A) a temperaturas más altas, lo que puede limitar ligeramente su vida útil.
No se puede conectar el SpeedComfort (A) a la toma de corriente.	SpeedComfort (A) ha sido colocado con las dos conexiones hembra en el lado erróneo o el cable del adaptador de alimentación (D) no es lo bastante largo.	Dé la vuelta al SpeedComfort (A) de manera que las dos conexiones hembra miren en la otra dirección o compre y conecte el cable del adaptador de alimentación (D) a un cable más largo (G o H).
No se pueden conectar dos SpeedComforts (A) con el cable de conexión de 30 cm de longitud suministrado (F).	La distancia es demasiado grande/el cable es demasiado corto.	Compre un cable adicional de 60 cm o 120 cm (G o H) para conectar los SpeedComforts (A) .
El sensor de temperatura (E) no puede alcanzar la tubería de suministro de agua caliente.	El cable del sensor de temperatura es demasiado corto.	Compre un cable adicional de 60 cm o 120 cm (G o H) y conecte el cable del sensor de temperatura . El sensor de temperatura (E) también puede conectarse a la parte posterior del radiador.

<p>No se puede colocar el SpeedComfort (A) entre la pared y el radiador de placa única.</p>	<p>El espacio suele ser demasiado pequeño (menos de 70 mm).</p>	<p>Siga los pasos de instalación para radiadores de placa única. Si no hay suficiente espacio entre la parte posterior del radiador y la pared, coloque los pies (C) en el SpeedComfort (A) y coloque el producto en el suelo debajo del radiador.</p>
<p>SpeedComfort (A) no se ha encendido después de conectarlo a la toma de corriente.</p>	<p>El sensor de temperatura (E) no registra 33 °C o más o el SpeedComfort (A) no recibe alimentación.</p>	<ul style="list-style-type: none"> • Asegúrese de que el radiador esté al menos a 33 grados. • Asegúrese de que el sensor de temperatura (E) esté conectado a la tubería de suministro de agua caliente o cerca de esta tubería en el radiador donde se calienta. • Asegúrese de que el sensor de temperatura (E) haga un contacto adecuado. • Si el radiador no se calienta correctamente, ventile el sistema de calefacción central y considere la posibilidad de realizar un equilibrado hidráulico. • Asegúrese de que el enchufe de la pared funciona y de que el adaptador de alimentación (D) esté insertado correctamente.
<p>No se puede fijar el sensor de temperatura (E) al convector.</p>	<p>Los convectores, que están hechos de cobre o aluminio, no son magnéticos.</p>	<p>Fije el sensor de temperatura (E) con el velcro suministrado o sujete el sensor de temperatura entre dos placas delgadas en el bloque convector.</p>
<p>SpeedComfort (A) no parece aumentar la potencia calorífica del radiador.</p>	<p>SpeedComfort (A) podría estar mirando hacia abajo. Esto hace que el aire fluya en la dirección equivocada, en contra en vez de con el flujo.</p>	<p>Dé la vuelta al SpeedComfort (A) de manera que quede mirando hacia arriba. La parte superior es el lado donde los ventiladores están cubiertos con tres tiras protectoras blancas.</p>

<p>No ahorra un 22% en la factura de energía.</p>	<p>El sistema de calefacción central no está lo suficientemente optimizado o no ha estado funcionando de forma óptima antes de la instalación de los SpeedComforts (A).</p>	<p>Optimice el sistema de calefacción central (ver apartado 4.3) distribuyendo los SpeedComforts (A), ajustando el punto de ajuste de temperatura y asegurando el equilibrado hidráulico. Si el sistema de calefacción central ha estado funcionando de forma óptima antes de la instalación de los SpeedComforts (A), puede que no sea posible ahorrar un 22%. El comportamiento del usuario también puede influir en el ahorro máximo que se puede lograr.</p>
<p>Radiador viejo de hierro fundido o radiador de placa única con placa a < 55 mm de la pared.</p>	<p>Ninguno de los 4 tipos de radiadores mencionados.</p>	<p>Fije los pies (E) al SpeedComfort (A) y colóquelo en el suelo bajo el radiador.</p>
<p>SpeedComfort (A) hace demasiado ruido cuando se coloca sobre el convector.</p>	<p>Esto puede ser ruido de contacto.</p>	<p>Asegúrese de que el SpeedComfort (A) no toque ninguna pieza de metal. Por esta razón, los pies (C) también deben estar fijados.</p>
<p>SpeedComfort (A) no se apaga cuando el radiador se apaga/enfría.</p>	<p>El sensor de temperatura (E) no se apaga.</p>	<p>Asegúrese de que el SpeedComfort (A) está conectado adecuadamente al sensor de temperatura (E).</p>

Puede encontrar respuestas a las preguntas más frecuentes (FAQs) en www.speedcomfort.com.

7. Eliminación

7.1. Eliminación del producto



El símbolo que aparece en el producto indica que no debe tratarse como residuo doméstico, sino que debe desecharse por separado. Deposite el producto en un punto limpio para que se recicle como equipo eléctrico y electrónico en los países de la UE y otros países de Europa que utilizan sistemas de recogida específicos para equipos eléctricos y electrónicos desechados. Al desechar el producto de modo correcto, usted ayuda a evitar posibles peligros para el medio ambiente y la salud pública que, de otro modo, podrían producirse como consecuencia de un tratamiento inadecuado de los equipos desechados. El reciclaje de los materiales ayuda a conservar los recursos naturales. Por lo tanto, no deposite los equipos eléctricos y electrónicos obsoletos junto con los residuos domésticos sin clasificar.

7.2. Eliminación de los residuos de embalaje

Deseche el embalaje a través de sus instalaciones de reciclaje locales. Al tratar correctamente el embalaje y sus residuos, usted ayuda a evitar posibles peligros para el medio ambiente y la salud pública.

Ausschlussklausel

SpeedComfort gewährt keine Zusicherungen oder Garantien hinsichtlich dieser Anleitung und beschränkt seine Haftung für die Verletzung jeglicher implizierten Garantie, soweit gesetzlich zulässig, auf den Ersatz dieser Anleitung durch eine andere. Zudem behält sich SpeedComfort das Recht vor, diese Publikation jederzeit zu überarbeiten, ohne irgendjemanden über diese Überarbeitung benachrichtigen zu müssen.

Die in dieser Dokumentation bereitgestellten Informationen umfassen allgemeine Beschreibungen und technische Merkmale zur Leistung der hierin beschriebenen Produkte. Diese Dokumentation kann nicht als ordnungsgemäße Beurteilung der Eignung oder Zuverlässigkeit der Produkte für eine spezifische Anwendung bei einem Benutzer dienen und darf nicht als Ersatz einer solchen Beurteilung herangezogen werden. Weder SpeedComfort noch einer seiner Partner oder Tochterunternehmen kann bei Missbrauch der hierin enthaltenen Informationen verantwortlich oder haftbar gemacht werden. Falls Sie irgendwelche Vorschläge für Verbesserungen oder Ergänzungen haben oder Ihnen in dieser Publikation Fehler aufgefallen sind, benachrichtigen Sie uns bitte darüber.

Bei Nichtbeachtung dieser Informationen können Verletzungen oder Beschädigungen die Folge sein.

Copyright © 2021 SpeedComfort

Alle Rechte vorbehalten. Kein Teil dieser Publikation darf in irgendeiner Form, einschließlich Fotokopie, Aufzeichnung oder einem anderen elektronischen oder mechanischen Verfahren ohne schriftliche Genehmigung des Herstellers reproduziert, verarbeitet oder weitergegeben werden. Anfragen für Genehmigungen müssen in schriftlicher Form an den Herausgeber unter der unten angegebenen Adresse mit dem Zusatz „z. Hd. Genehmigungskordinator“ gerichtet werden.

SpeedComfort

Antwortnummer 7200

3734 ZW Den Dolder

Niederlande

Tel: +31 85 666 62 23

E-Mail: info@speedcomfort.com

Webseite: www.speedcomfort.de

Inhalt

1.	Vorwort	48
1.1.	Beschreibung des Anwenders	48
1.2.	In dieser Anleitung verwendete Konventionen	48
1.3.	Erklärung der Sicherheitshinweise	48
1.4.	Aufbewahrung der Anweisungen	48
1.5.	Beschaffen von Dokumentationen und Informationen	49
2.	Beschreibung des Produkts	50
2.1.	Bestimmungsgemäße Verwendung und vorhersehbare Fehlanwendung	50
2.2.	Überblick über das System	50
2.3.	Technische Daten	51
2.4.	Hauptbestandteile	52
3.	Sicherheitshinweise	53
3.1.	Sichere Verwendung des Produkts	53
4.	Installation	55
4.1.	Die Art Ihres Heizkörpers bestimmen	55
4.2.	Verbinden des SpeedComfort mit dem Heizkörper	56
4.3.	Optimieren der Zentralheizung	62
5.	Wartung	63
5.1.	Wartung des SpeedComfort	63
6.	Fehlersuche	64
7.	Entsorgung	67
7.1.	Entsorgung des Produkts	67
7.2.	Entsorgung der Verpackung	67

1. Vorwort

1.1. Beschreibung des Anwenders

Diese Installationsanleitung ist für den Endverbraucher als Haus-/Wohnungseigentümer gedacht, der einen oder mehrere SpeedComfort-Geräte an den Heizkörpern in seinem Haus/ seiner Wohnung installieren möchte. Der Anwender muss dabei keine spezielle Erfahrung, Schulung oder Zertifizierung haben, um den SpeedComfort installieren zu können.

1.2. In dieser Anleitung verwendete Konventionen

Die folgenden Schriftstile werden in diesem Dokument verwendet:

Fett

Bezeichnungen von Produktbestandteilen

Kursiv

Hervorhebung (beispielsweise bei einem neuen Begriff)

1.3. Erklärung der Sicherheitshinweise

VORSICHT

„Vorsicht“ weist auf eine Gefahr hin, die, falls sie nicht vermieden wird, zu leichten bis mittelschweren Verletzungen führen kann.

HINWEIS

„Hinweis“ kennzeichnet Informationen, die wichtig sind, aber nicht mit potenziell gefährlichen Situationen in Verbindung stehen.

1.4. Aufbewahrung der Anweisungen

Stellen Sie sicher, dass Sie die vollständige Anleitung und sämtliche Sicherheitshinweise gelesen und verstanden haben, bevor Sie dieses Produkt verwenden.

Befolgen Sie alle Anweisungen. Dadurch werden Feuer, Explosionen, Stromschläge oder andere Gefahren vermieden, die Sachschäden verursachen und/oder zu Verletzungen führen können.

Das Produkt darf nur von Personen verwendet werden, die den Inhalt dieser Bedienungsanleitung vollständig gelesen und verstanden haben.

Stellen Sie sicher, dass alle Personen, die dieses Produkt verwenden, diese Warnungen und Anweisungen gelesen haben und befolgen.

Heben Sie alle Sicherheitsinformationen und Anweisungen zum späteren Nachschlagen auf und geben Sie sie an spätere Benutzer des Produkts weiter.

Der Hersteller haftet nicht für Fälle materieller Schäden oder Verletzungen, die auf eine falsche Handhabung oder Nichteinhaltung der Sicherheitshinweise zurückzuführen sind. In solchen Fällen erlischt die Garantie.

1.5. Beschaffen von Dokumentationen und Informationen

1.5.1. Internet

Eine aktuelle Version der Dokumentation steht auf der folgenden Webseite zur Verfügung:
https://www.speedcomfort.nl/media/downloads/SpeedComfort_manual.pdf

1.5.2. Bestellen von Dokumentationen

Dokumentationen, Benutzeranweisungen und technische Informationen können telefonisch bei SpeedComfort unter +31 85 666 62 23 bestellt werden.

1.5.3. Rückmeldungen zur Dokumentation

Falls Sie eine **SpeedComfort** Produktdokumentation im Internet lesen, können Sie Kommentare über die Support-Webseite übermitteln. Kommentare können auch per E-Mail an kontakt@speedcomfort.com gesendet werden.

Wir freuen uns über Ihre Rückmeldungen.

1.5.4. Support und Service

Bei Fragen, für sonstige Informationen, technische Hilfestellung, bei Fragen zu Wartungsarbeiten oder zur Bestellung von Benutzeranweisungen nehmen Sie bitte Kontakt auf mit:

SpeedComfort

Antwortnummer 7200

3734 ZW Den Dolder

Niederlande

Tel: +31 85 666 62 23

Webseite: www.speedcomfort.de

2. Beschreibung des Produkts

2.1. Bestimmungsgemäße Verwendung und vorhersehbare Fehlanwendung

Der SpeedComfort ist als Lüfter gedacht, der auf einen Heizkörper oder Konvektor aufgesetzt wird, welcher mit der zentralen Heizungsanlage verbunden ist. Der SpeedComfort soll dann die Wärme vom Heizkörper abziehen, um eine gleichmäßigere Aufwärmung des Raumes zu unterstützen.

Das Produkt muss gemäß den Anweisungen in diesem Handbuch verwendet werden. Jegliche andere als in dieser Gebrauchsanweisung beschriebene Verwendung gilt als nicht bestimmungsgemäße Verwendung. Eine solche Verwendung führt zum Erlöschen jeglichen Garantieanspruchs.

2.2. Überblick über das System

Dieses Produkt enthält verschiedene Bestandteile, die als System zusammenarbeiten. Der SpeedComfort ist die Hauptkomponente. Der SpeedComfort ist mit einem Netzadapter und einem Temperaturfühler verbunden. Bei einem *breiten Heizkörper* (mit 70 mm oder mehr auseinanderliegenden Platten) ist nur mehr ein optionales Kabel erforderlich. Bei anderen Heizkörpern müssen einfach nur die magnetischen Schieber oder Füße anders positioniert werden:

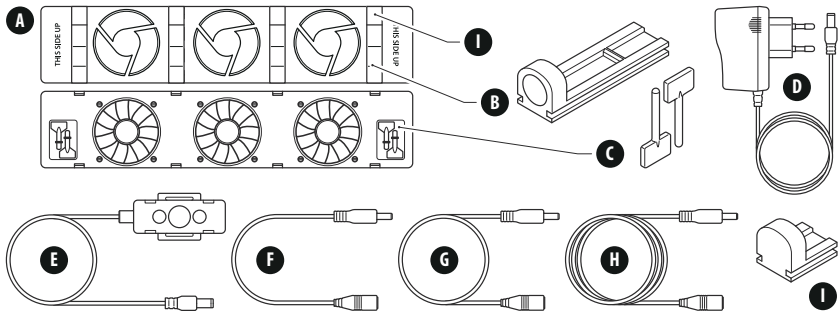
- Bei einem *schmalen Heizkörper* (Platten mit einem Abstand von weniger als 70 mm) positionieren Sie die Magnetschieber mit dem Magneten nach oben, jeweils zwei auf jeder Seite.
- Bei einem *Einzelplatten-Heizkörper* positionieren Sie die Magnetschieber mit allen vier auf einer Seite mit dem Magneten nach oben.
- Bei einem *Konvektor* positionieren Sie die vier integrierten Füße in die dafür vorgesehenen Löcher an der Unterseite des SpeedComfort.

Zusätzliche SpeedComfort-Geräte können mithilfe der Kabel (30 cm, 60 cm oder 120 cm) miteinander verbunden werden. Diese Kabel dienen auch zur Verlängerung des Netzadapters oder der Temperaturfühlerkabel.

2.3. Technische Daten

Parameter	Einheit
Produktbezeichnung	SpeedComfort
Technische Lebensdauer: SpeedComfort	10 Jahre
Technische Lebensdauer: Netzadapter	4 Jahre
Ein/Aus	0,55 W
Jährlicher Energieverbrauch	< 1 kWh
Geräuschpegel	< 20 dB(A)
Luftstrom	30m ³ /Stunde
Breite x Länge	7cm x 34cm
Ausgang	12 V/DC
Stromversorgung	100-240 V; 0,25 A 230 V AC
Betriebstemperatur	-20°C bis +85°C
Lagertemperatur	-40 °C bis +85°C
Relative Luftfeuchtigkeit bei Verwendung und Lagerung	max. 80% (nicht kondensierend)

2.4. Hauptbestandteile



- A. SpeedComfort
- B. Verstellbare Magnete (4x)
- C. Füße (4x)
- D. Netzadapter
- E. Temperaturfühler (mit Klettband)
- F. Verbindungskabel (bei Duo-Set, Trio-Set und Extension Set inklusive)
- G. Kabel 60 cm (optional)
- H. Kabel 120 cm (optional)
- I. Dummy-Klötzchen (4x - haben keine Funktion)

3. Sicherheitshinweise

VORSICHT

Stellen Sie sicher, dass Sie die vollständige Anleitung und sämtliche Sicherheitshinweise gelesen und verstanden haben, bevor Sie den SpeedComfort und die entsprechenden Bauteile verwenden.

3.1. Sichere Verwendung des Produkts

3.1.1. Sicherheitsinformationen für schutzbedürftige Personen

- Lassen Sie Kinder niemals mit dem Verpackungsmaterial alleine. Es besteht ein Risiko zu ersticken.
- Kinder dürfen nicht mit dem Produkt spielen. Dieses Produkt ist kein Spielzeug.
- Installieren Sie das Produkt nicht, wenn Sie eingeschränkte physische, sensorische oder geistige Fähigkeiten haben.
- Lassen Sie keine Installation des Produktes durch Personen (einschließlich Kindern) mit eingeschränkten physischen, sensorischen oder geistigen Fähigkeiten zu.

3.1.2. Sicherheitsinformationen zur bestimmungsgemäßen Verwendung

- Verwenden Sie dieses Produkt nur als Heizkörperlüfter, indem Sie es an einer Heizung anbringen. Befolgen Sie dazu die Anweisungen in dieser Anleitung.

3.1.3. Produktgrenzen und Beschränkungen

- Verwenden Sie keine scharfen Objekte in der Nähe der Ventilatoren.
- Halten Sie das Produkt von offenem Feuer, Lötkolben oder anderen heißen Werkzeugen fern, da diese das Produkt beschädigen könnten.

3.1.4. Sicherheitsinformationen zur Installation

- Lassen Sie beim Umgang mit dem Produkt sowie beim Anheben und Transportieren Vorsicht walten.
- Seien Sie stets aufmerksam und vorsichtig, wenn Sie ein elektrisches Produkt installieren. Installieren Sie das Produkt nicht, wenn Sie sich nicht richtig konzentrieren können oder Sie einen nahenden Ohnmachtsanfall bemerken oder falls Sie unter dem Einfluss von Medikamenten, Alkohol oder Drogen stehen.

- Stellen Sie sicher, dass die örtliche Netzspannung mit dem auf dem Produkt angegebenen Wert übereinstimmt, bevor Sie den Netzadapter mit der Steckdose verbinden. Die maximal zulässige Spannung beträgt 230V.
- Schließen Sie das Produkt an eine ordnungsgemäß installierte und leicht zugängliche Netzsteckdose an. Achten Sie darauf, dass das Produkt jederzeit vom Stromnetz getrennt werden kann.

3.1.5. Sicherheitsinformationen zur Verwendung

- Verwenden Sie das Produkt niemals draußen. Das Produkt ist nur für den Gebrauch in Innenräumen bestimmt.
- Überprüfen Sie alle Komponenten (einschließlich der Kabel) auf Beschädigungen, bevor Sie das Produkt installieren. Ziehen Sie den Netzadapter unverzüglich aus der Steckdose, falls Sie sichtbare Schäden, starke Gerüche oder eine Überhitzung der Komponenten bemerken.

3.1.6. Sicherheitsinformationen zur Wartung

- Berühren Sie das Produkt oder den Netzadapter niemals mit nassen Händen.
- Halten Sie das Produkt von Feuchtigkeit fern. Seien Sie auch vorsichtig bei der Reinigung des Produktes oder des Heizkörpers, an dem es angebracht ist. Stellen Sie sicher, dass kein Wasser durch die Ventilatoren in das Produkt eindringt.

3.1.7. Sicherheitsinformationen zu Service und Reparatur

- Versuchen Sie nicht, das Produkt zu öffnen, zu ändern oder zu reparieren. Veränderungen oder Modifikationen des Produktes sind nicht zulässig. In diesen Fällen würde die Garantie erlöschen.

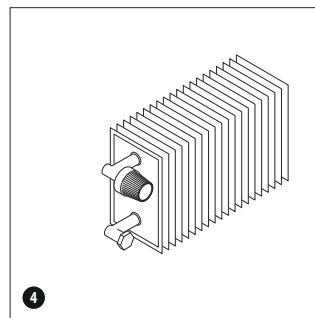
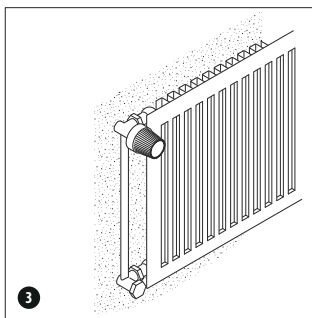
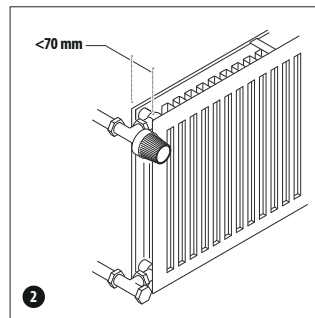
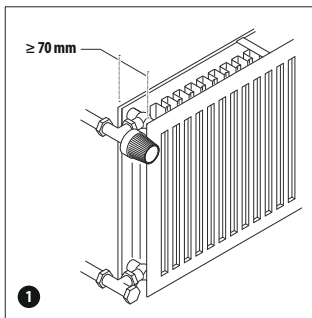
4. Installation

4.1. Die Art Ihres Heizkörpers bestimmen

Der SpeedComfort kann an verschiedenen Heizkörpertypen installiert werden. Für jeden Heizkörpertyp ist dabei ein eigener Installationsweg erforderlich.

Die Art Ihres Heizkörpers bestimmen:

1. Bestimmen Sie die Arten der Heizkörper, an denen Sie den **SpeedComfort** installieren möchten.



- 1 Dies ist ein Heizkörper, bei dem der Abstand zwischen den Platten 70 mm oder mehr beträgt.
- 2 Schmale Heizkörper, sind solche Heizkörper, bei denen der Abstand zwischen den Platten weniger als 70 mm beträgt.
- 3 Einzelplatten-Heizkörper sind Heizkörper mit nur einer Platte.
- 4 Konvektoren sind Heizkörper, bei denen heißes Wasser durch ein Rohr zirkuliert, das von kleinen Lamellen umgeben ist. Üblicherweise ist dies in einem Konvektorgehäuse oder einem Konvektorschacht installiert.

4.2. Verbinden des SpeedComfort mit dem Heizkörper

Der SpeedComfort kann an verschiedenen Heizkörpertypen installiert werden. Für jeden Heizkörpertyp ist dabei ein eigener Installationsweg erforderlich. Befolgen Sie die spezifischen Installationsschritte für diesen Heizkörpertyp.

4.2.1. Verbinden des SpeedComfort mit einem breiten Heizkörper (Plattenabstand ≥ 70 mm)

1. Stellen Sie sicher, dass der **SpeedComfort** (A) nach oben weist und dass die **Anschlussbuchsen** (1) in Richtung der Steckdose weisen (siehe Abb. 1).

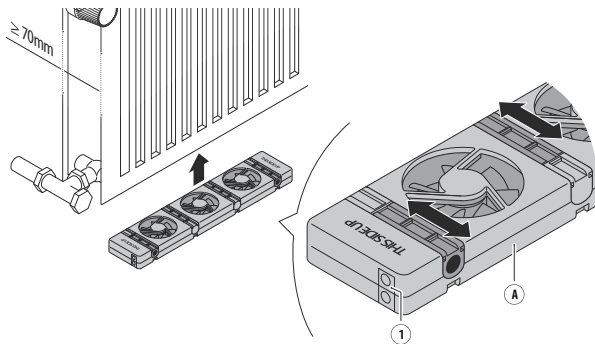


Abb. 1 - Position des SpeedComfort (A).

- Finden Sie einen Platz, an dem die Wandhalterungen und Verbindungsclips des Heizkörpers nicht im Weg sind. Bringen Sie den **SpeedComfort** (A) mit den **verstellbaren Magneten** (B) unten zwischen den Heizkörperplatten an (siehe Abb. 2). Der **SpeedComfort** (A) kann auch oben auf dem Heizkörper unter einer Abdeckung aufgesetzt werden. **HINWEIS** Stellen Sie sicher, dass die **Ventilatoren** nach oben weisen!

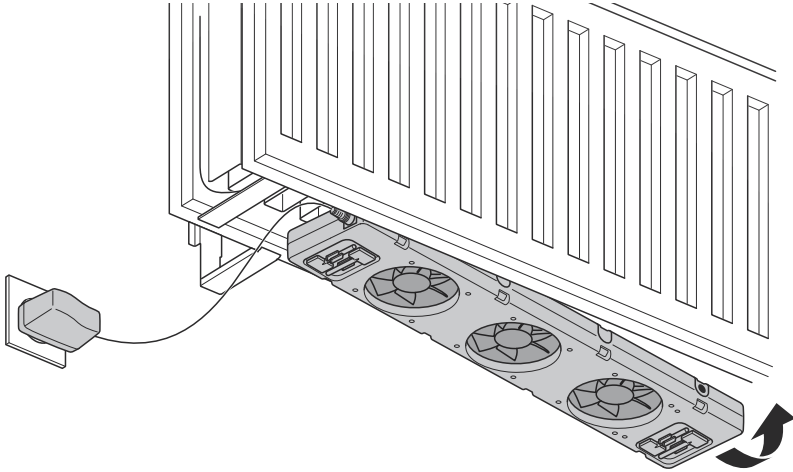


Abb. 2 - Anbringen des SpeedComfort (A).

- Verbinden Sie das **Temperaturfühlerkabel** (E) mit einer der **Anschlussbuchsen** (1) des **SpeedComfort** (A).
- Bringen Sie den **Temperaturfühler** (E) mit den verstellbaren Magneten (B) auf der Rückseite des Heizkörpers in der Nähe des Warmwasserzulaufrohrs oder am Rohr selbst an (siehe Abb. 3). Stellen Sie die Magnetschieber auf die korrekte Breite ein.

5. Verbinden Sie den **Netzadapter** (D) mit der verbleibenden **Anschlussbuchse** (1) und der Steckdose (siehe Abb. 3).

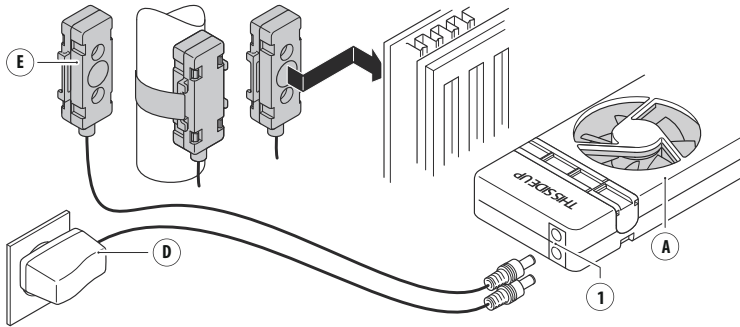


Abb. 3 - Anschließen des Netzadapters (D) und Temperatursensors (E).

6. Bei langen Heizkörpern verbinden Sie zusätzliche **SpeedComfort**-Geräte (A) mithilfe des 30 cm langen **Verbindungskabels** (F) (siehe Abb. 4). Es können mehrere **SpeedComfort**-Geräte (A) (bis zu 20) mit einem **Netzadapter** (D) verbunden werden. Zusätzliche **Temperatursensoren** (E) sind nicht erforderlich. Das Duoset und das Trioset enthalten mehrere **SpeedComfort**-Geräte.

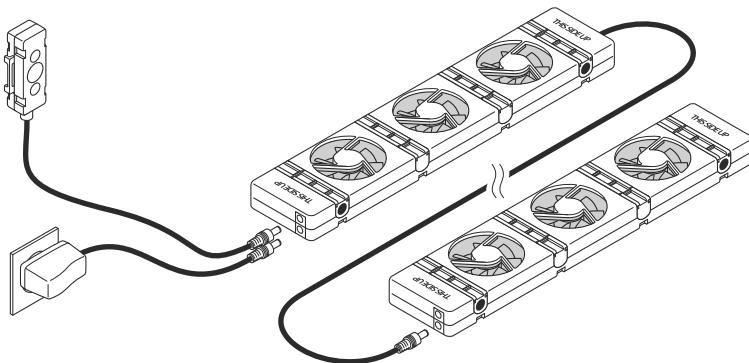


Abb. 4 - Verbinden weiterer SpeedComfort-Geräte (A).

7. Schalten Sie Ihre zentrale Heizungsanlage ein. Warten Sie, bis sich der **SpeedComfort** (A) automatisch einschaltet. Dies geschieht, wenn die Heizkörpertemperatur 33°C übersteigt. Er schaltet sich automatisch aus, wenn der Heizkörper auf unter 25°C abkühlt.

4.2.2. Verbinden des SpeedComfort mit einem schmalen Heizkörper (Plattenabstand < 70 mm)

1. Drehen Sie die **verstellbaren Magnete (B)** so, dass der **Magnet (1)** oben liegt (siehe Abb. 5). Nehmen Sie das Klötzchen heraus, das sich gegenüber den verstellbaren Magneten im Gehäuse befindet. Das Klötzchen bitte als Kunststoffabfall entsorgen.
2. Stellen Sie die **verstellbaren Magnete (B)** auf die korrekte Breite ein.
3. Wiederholen Sie die Schritte 1-7 wie für einen breiten Heizkörper. Verwenden Sie die **verstellbaren Magnete (B)**, um den **SpeedComfort (A)** zwischen den Platten aufzuhängen (siehe Abb. 5 und 6). Sie können den **SpeedComfort** an der Vorderseite des Heizkörpers ausrichten.

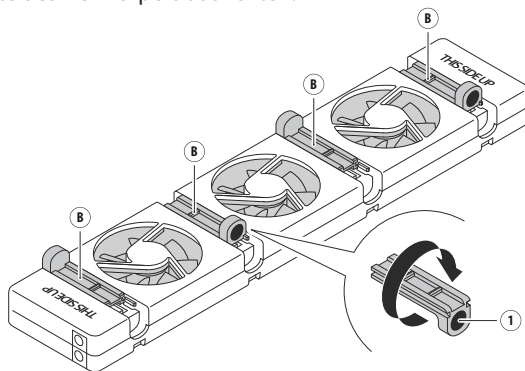


Abb. 5 - die verstellbaren Magnete wieder im **SpeedComfort (A)** positionieren.

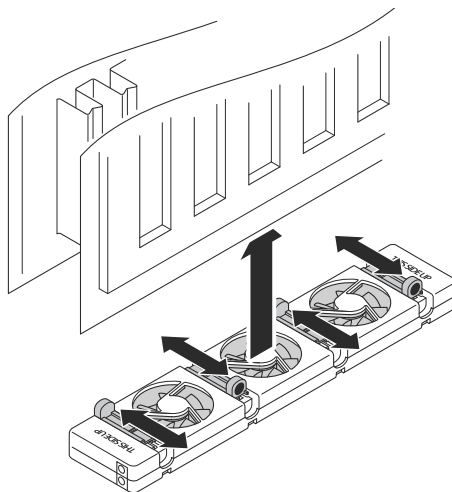


Abb. 6 - Hängen Sie den **SpeedComfort (A)** zwischen die Heizkörperplatten.

4.2.3. Verbinden des SpeedComfort mit einem Einzelplatten-Heizkörper

1. Positionieren Sie die **verstellbaren Magnete (B)** so, dass die **Magnete (1)** auf der gleichen Seite liegen und alle vier **Magneten (1)** nach oben zeigen. Nehmen Sie das Klötzchen heraus, das sich gegenüber den verstellbaren Magneten im Gehäuse befindet. Das Klötzchen bitte als Kunststoffabfall entsorgen.
2. Wiederholen Sie die Schritte 1-7 wie für einen breiten Heizkörper.
3. Verwenden Sie die **verstellbaren Magnete (B)**, um den SpeedComfort (A) an dem Einzelplatten-Heizkörper anzubringen (siehe Abb. 7).

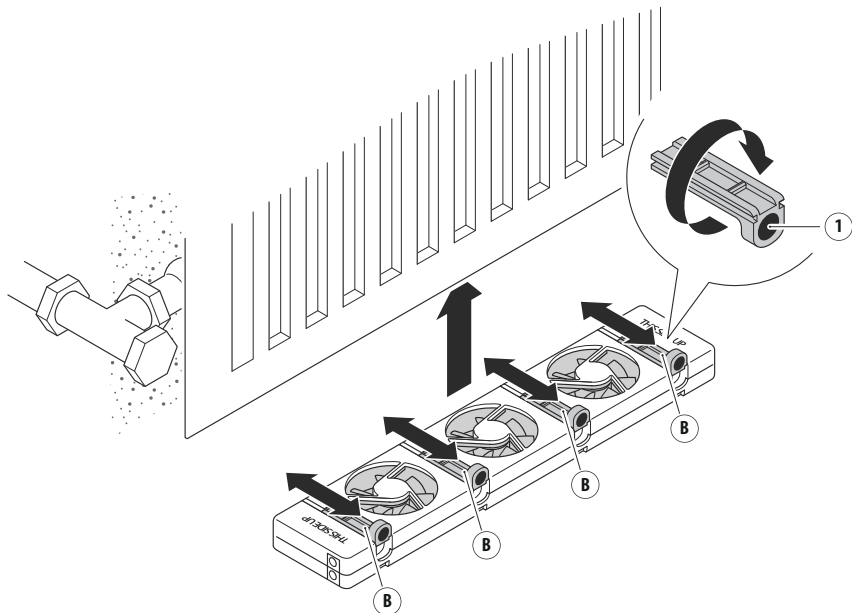


Abb. 7 - Anbringen des SpeedComfort (A) an einem Einzelplatten-Heizkörper.

4.2.4. Verbinden des SpeedComfort mit einem Konvektor

1. Befestigen Sie die **Füße (C)**, indem Sie sie in die **Schlitze (2)** des **SpeedComfort (A)** drücken.
2. Stellen Sie sicher, dass der **SpeedComfort (A)** nach oben weist und dass die **Anschlussbuchsen (1)** in Richtung der Steckdose weisen (siehe Abb. 9).
3. Platzieren Sie den **SpeedComfort (A)** oben auf den Konvektor und lassen Sie zwischen den Konvektorseiten und dem **SpeedComfort (A)** Platz, um die Geräuscentwicklung zu reduzieren (siehe Abb. 9). Der SpeedComfort kann auch auf dem Boden unterhalb des Konvektors platziert werden, wenn der Platz dafür ausreicht.

4. Ist der Konvektorblock aus magnetischem Material gefertigt, kann der **Temperaturfühler** (E) mit seinen Magneten einfach hierauf positioniert werden. Der Temperaturfühler kann für eine gute Wärmeübertragung auch zwischen zwei Platten des Konvektorblocks geklemmt werden. Der Fühler kann mit dem mitgelieferten Klettband an einem Kupferrohr oder an einer anderen nicht magnetischen Stelle befestigt werden.

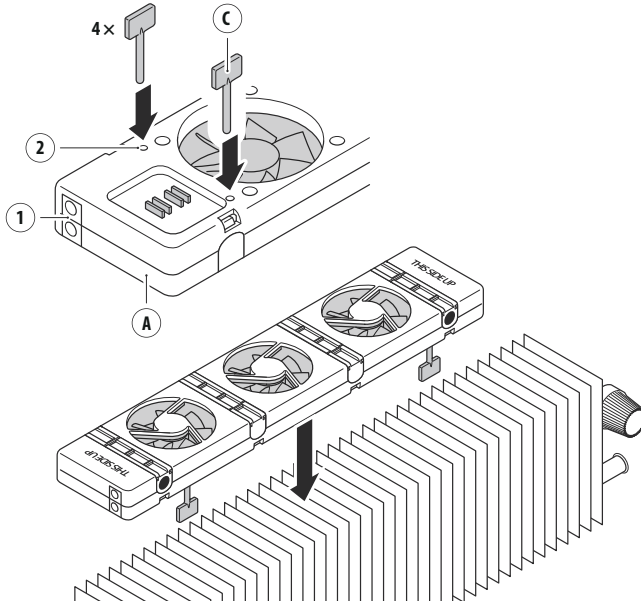


Abb. 8 - Anbringen eines Fußes (C).

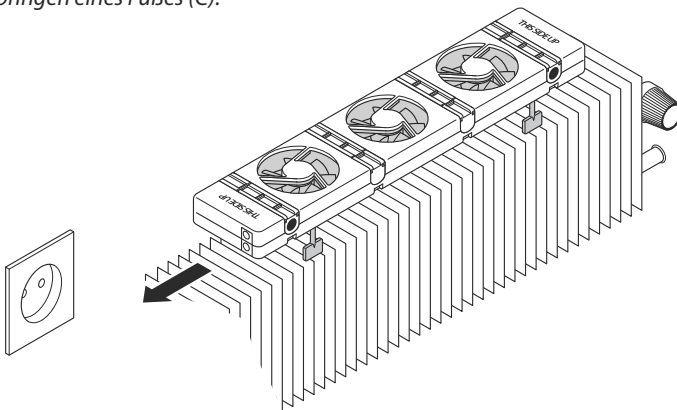


Abb. 9 - Position des **SpeedComfort** (A) auf dem Konvektor.

4.3. Optimieren der Zentralheizung

Der SpeedComfort leitet die Wärme vom Heizkörper ab, sodass der Raum schneller und gleichmäßiger erwärmt wird. Dies kann den Energieverbrauch in Ihrem Haus um bis zu 22% reduzieren. Um dieses Einsparpotenzial zu erreichen, müssen jedoch ein paar Faktoren optimiert werden: Die SpeedComfort-Geräte müssen im gesamten Haus verteilt werden; der Temperatur-Sollwert der Zentralheizung muss gesenkt werden und die zentrale Heizungsanlage muss hydronisch abgestimmt sein.

4.3.1. Verteilen der SpeedComfort-Geräte

1. Installieren Sie 3 bis 5 **SpeedComfort**-Geräte (A) (mit zugehörigen Komponenten) in einem (durchschnittlichen) Wohnzimmer.
2. Installieren Sie **SpeedComfort**-Geräte (A) in allen regelmäßig verwendeten Zimmern.

So kann sichergestellt werden, dass die Luft im Zimmer einmal pro Stunde zirkuliert (da ein SpeedComfort 30 m³/h bewegt).

4.3.2. Absenken des Temperatur-Sollwerts

1. Senken Sie den an der Zentralheizung eingestellten Sollwert auf mindestens 60°C. Beachten Sie das Handbuch Ihrer zentralen Heizungsanlage oder bitten Sie einen Wartungstechniker, die Einstellung vorzunehmen. Falls gewünscht, kann dies auch in kleinen Schritten erfolgen, um den optimalen Sollwert zu ermitteln. Ein niedrigerer Sollwert spart mehr Energie.
2. Stellen Sie sicher, dass der Wartungstechniker Ihrer zentralen Heizungsanlage diese nicht auf Werkseinstellungen zurücksetzt (75-90°C).

Der **SpeedComfort** leitet die Wärme vom Heizkörper ab, sodass der Raum schneller erwärmt wird. So kann der Kessel schneller abschalten und damit wird Energie eingespart.

4.3.3. Hydronische Abstimmung

Justieren Sie die zentrale Heizungsanlage mithilfe der Heizungsschraube, über die Standardeinstellung des Thermostats oder ein separates Heizungsventil. **VORSICHT!** Bitten Sie den Wartungstechniker der Heizungsanlage darum, bei der hydronischen Abstimmung der zentralen Heizungsanlage zu helfen. Dies ist kein Standardverfahren und erfordert einiges an Expertise.

Die hydronische Abstimmung optimiert die Verteilung des Wassers in einer zentralen Heizungsanlage. Dies ist für eine effiziente Energieausnutzung notwendig und stellt sicher, dass die Raumtemperatur nicht schwankt.

Um mehr über Energiesparen und die Reduzierung von Energieverlusten zu erfahren, besuchen Sie: www.speedcomfort.de.

5. Wartung

5.1. Wartung des SpeedComfort

5.1.1. Reinigung des Produkts

Der SpeedComfort und die zugehörigen Komponenten können bei Bedarf gereinigt werden.

Zum Reinigen des Produkts:

1. Reinigen Sie das Produkt mit einem Staubsauger, wenn es verschmutzt ist. **VORSICHT!** Verwenden Sie nur die niedrigste Stufe des Staubsaugers.
2. Reinigen Sie das Produkt bei Bedarf mit einem feuchten Tuch. **VORSICHT!** Stellen Sie sicher, dass kein Wasser durch die Ventilatoren in den SpeedComfort eindringt.

5.1.2. Austauschen von Komponenten

Falls Komponenten beschädigt sind, müssen diese ausgetauscht werden. **VORSICHT!** Versuchen Sie nicht, das Produkt zu öffnen, zu ändern oder zu reparieren.

Zum Austauschen von Komponenten:

1. Tauschen Sie beschädigte Komponenten, die noch der Garantie unterliegen, beim Lieferanten aus. Der SpeedComfort verfügt über eine zehnjährige Garantie und der Netzadapter hat eine zweijährige Garantie. **HINWEIS** Aus Sicherheits- und Regulierungsgründen (CE) sind Veränderungen oder Modifikationen des Produktes nicht zulässig.
2. Entsorgen Sie beschädigte Komponenten, die nicht mehr der Garantie unterliegen, und erwerben Sie neue Komponenten.

6. Fehlersuche

Problem	Ursache	Lösung
Der SpeedComfort (A) passt nicht zwischen die Platten des Heizkörpers.	Es ist ein schmaler Heizkörper.	Befolgen Sie die Installationsschritte des Speedcomfort mit einem schmalen Heizkörper.
Der SpeedComfort (A) passt nicht unten auf den Heizkörper.	Dort ist nicht genug Platz.	Platzieren Sie den SpeedComfort (A) oben auf dem Heizkörper. Die Leistungsfähigkeit wird dadurch nicht beeinflusst. Die Montage unten wird nur bevorzugt, weil das Gerät dann weniger sichtbar ist. Stellen Sie unbedingt sicher, dass der SpeedComfort (A) trotzdem nach oben weist.
Der SpeedComfort (A) muss oben auf den Heizkörper aufgesetzt werden, aber die Heizung hat eine Abdeckung.	N/A	Platzieren Sie den SpeedComfort (A) unterhalb der Abdeckung. Beachten Sie jedoch, dass der SpeedComfort (A) dadurch höheren Temperaturen ausgesetzt wird, wodurch seine Lebensdauer leicht beeinträchtigt werden könnte.
Ich kann den SpeedComfort (A) nicht mit der Steckdose verbinden.	Der SpeedComfort (A) wurde mit den beiden Anschlussbuchsen auf der falschen Seite platziert oder das Netzadapterkabel (D) ist nicht lang genug.	Drehen Sie den SpeedComfort (A) herum, sodass die beiden Anschlussbuchsen in die andere Richtung weisen oder erwerben Sie ein längeres Kabel (G oder H) und verlängern Sie damit das Netzadapterkabel (D).
Ich kann zwei SpeedComfort -Geräte (A) nicht mit dem mitgelieferten 30 cm langem Verbindungskabel (F) verbinden.	Der Abstand ist zu groß / das Kabel ist zu kurz.	Erwerben Sie ein zusätzliches 60 cm oder 120 cm langes Kabel (G oder H), um die SpeedComfort -Geräte (A) zu verbinden.

<p>Der Temperaturfühler (E) reicht nicht bis zur Warmwasser-Versorgungsleitung.</p>	<p>Das Temperaturfühlerkabel ist zu kurz.</p>	<p>Erwerben Sie ein zusätzliches 60 cm oder 120 cm langes Kabel (G oder H) und verbinden Sie es mit dem Temperaturfühlerkabel. Es ist zudem auch möglich, den Temperaturfühler (E) auf der Rückseite des Heizkörpers anzubringen.</p>
<p>Der SpeedComfort (A) passt nicht zwischen die Wand und den Einzelplatten-Heizkörper.</p>	<p>Der Abstand ist meistens zu klein (weniger als 70 mm).</p>	<p>Befolgen Sie die Installationsschritte für Einzelplatten-Heizkörper. Befestigen Sie, wenn der Platz zwischen der Rückseite des Heizkörpers und der Wand nicht ausreicht, die Füße (C) bitte am SpeedComfort (A) und positionieren das Produkt auf dem Boden unter dem Heizkörper.</p>
<p>Der SpeedComfort (A) schaltet sich nicht ein, nachdem die Verbindung mit der Steckdose hergestellt wurde.</p>	<p>Der Temperaturfühler (E) registriert keine Temperatur von 33°C oder höher oder der SpeedComfort (A) wird nicht mit Strom versorgt.</p>	<ul style="list-style-type: none"> • Stellen Sie sicher, dass der Heizkörper mindestens 33 Grad hat. • Überprüfen Sie, ob der Temperaturfühler (E) direkt an oder in der Nähe der Warmwasser-Versorgungsleitung angebracht ist, wo der Heizkörper warm wird. • Überprüfen Sie, ob der Temperaturfühler (E) ordnungsgemäßen Kontakt hat. • Falls der Heizkörper sich nicht richtig erwärmt, entlüften Sie die Heizungsanlage und denken Sie über eine hydronische Abstimmung nach. • Überprüfen Sie, ob die Steckdose funktioniert und ob der Netzadapter (D) ordnungsgemäß eingesteckt ist.
<p>Ich kann den Temperaturfühler (E) nicht an dem Konvektor anbringen.</p>	<p>Konvektoren aus Kupfer oder Aluminium sind nicht magnetisch.</p>	<p>Befestigen Sie den Temperaturfühler (E) mit dem mitgelieferten Klettband oder klemmen den Temperatursensor zwischen zwei dünnen Platten im Konvektorblock.</p>

<p>Der SpeedComfort (A) scheint die Wärmeabgabe des Heizkörpers nicht zu steigern.</p>	<p>Eventuell weist der SpeedComfort (A) nach unten. Dadurch strömt die Luft in die falsche Richtung - entgegen und nicht mit dem Luftstrom.</p>	<p>Drehen Sie den SpeedComfort (A) um, sodass der SpeedComfort (A) nach oben weist. Die Oberseite ist diejenige, auf der die Ventilatoren mit drei weißen Schutzstreifen abgedeckt sind.</p>
<p>Ich spare keine 22% auf meiner Heizkostenabrechnung.</p>	<p>Die zentrale Heizungsanlage ist nicht ausreichend optimiert oder die Heizungsanlage funktionierte bereits vor Installation der SpeedComfort-Geräte (A) optimal.</p>	<p>Optimieren Sie die zentrale Heizungsanlage (siehe Abschnitt 4.3) durch Verteilen der SpeedComforts-Geräte (A), durch Anpassen des Temperatur-Sollwerts und durch Durchführung einer hydronischen Abstimmung. Wenn die zentrale Heizungsanlage bereits vor Installation der SpeedComforts-Geräte (A) optimal funktioniert hat, ist es eventuell nicht möglich 22% einzusparen. Auch das Verhalten der Anwender kann einen Einfluss auf die maximal zu erzielenden Einsparungen haben.</p>
<p>Alte Gusseisenheizungen oder Einzelplatten-Heizkörper mit Wandabstand < 55 mm.</p>	<p>Keiner der 4 erwähnten Heizkörpertypen.</p>	<p>Bringen Sie Füße (C) am SpeedComfort (A) an und stellen sie ihn auf den Boden unterhalb des Heizkörpers.</p>
<p>Der SpeedComfort (A) macht zu viel Krach, wenn er auf dem Konvektor platziert wird.</p>	<p>Dies können Kontaktgeräusche sein.</p>	<p>Achten Sie darauf, dass der SpeedComfort (A) keine metallischen Teile berührt. Aus diesem Grund sollten auch Füße (C) angebracht werden.</p>
<p>Der SpeedComfort (A) schaltet sich nicht aus, wenn der Heizkörper aus/kalt ist.</p>	<p>Der Temperaturfühler (E) schaltet ihn nicht aus.</p>	<p>Überprüfen Sie, ob der SpeedComfort (A) korrekt mit einem Temperaturfühler (E) verbunden ist.</p>

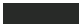
Sie können Antworten auf häufig gestellte Fragen (FAQs) unter www.speedcomfort.de finden.

7. Entsorgung

7.1. Entsorgung des Produkts



Das Symbol auf dem Produkt zeigt an, dass dieses Produkt nicht als unsortierter Abfall entsorgt werden darf, sondern an einer speziellen Sammelstelle abgegeben werden muss! Entsorgen Sie das Produkt an einer Sammelstelle für Recycling und Entsorgung von elektrischen und elektronischen Geräten, wenn

 Sie innerhalb der EU und in anderen europäischen Ländern leben, die über Systeme zur getrennten Sammlung von Elektro- und Elektronikgeräten verfügen. Mit der korrekten Entsorgung des Produkts helfen Sie, mögliche Gefahren für Umwelt und Gesundheit zu vermeiden, die durch eine unsachgemäße Behandlung von Altgeräten verursacht werden können. Die Wiederverwertung von Materialien trägt zur Erhaltung der natürlichen Ressourcen bei. Entsorgen Sie daher keine alten elektrischen und elektronischen Geräte mit dem unsortierten Hausmüll.

7.2. Entsorgung der Verpackung

Entsorgen Sie die Verpackung über ihre örtlichen Recyclingeinrichtungen. Mit der korrekten Entsorgung der Verpackungen und Verpackungsreste helfen Sie, mögliche Gefahren für Umwelt und Gesundheit zu vermeiden.

Exclusion de responsabilité

SpeedComfort ne fait aucune déclaration et ne donne aucune garantie quant au présent manuel et, dans les limites autorisées par la loi, limite expressément sa responsabilité pour le cas où le remplacement de ce manuel par un autre implique un non-respect de la garantie. SpeedComfort se réserve aussi le droit de réviser cette publication à tout moment et sans préavis.

Les informations fournies dans cette documentation contiennent des descriptions générales et des caractéristiques techniques de performance des produits contenus dans ce document. Cette documentation n'est pas destinée à remplacer et ne doit pas être utilisée pour déterminer l'adéquation ou la fiabilité de ces produits à des applications utilisateur spécifiques. Ni SpeedComfort, ni ses sociétés affiliées ou filiales ne seront responsables de l'utilisation abusive des informations contenues dans ce document. Nous vous prions de nous transmettre vos éventuelles suggestions d'amélioration ou de modification ou les possibles erreurs contenues dans cette publication.

Le non-respect de ces informations peut entraîner des blessures ou des dommages matériels.

Copyright © 2021 par SpeedComfort

Tous droits réservés. Aucune partie de cette publication ne peut être reproduite, traitée ou transmise sous quelque forme ou par quelque moyen que ce soit, y compris photocopie, enregistrement ou toute autre méthode électronique ou mécanique, sans l'autorisation écrite préalable du fabricant. Pour des demandes d'autorisation, veuillez écrire à l'éditeur avec la mention « À l'attention du : Coordinateur des autorisations » et en utilisant l'adresse ci-dessous.

SpeedComfort

Antwoordnummer 7200

3734 ZW Den Dolder

Pays-Bas

Tél. : +31 85 666 62 23

E-mail : info@speedcomfort.com

Site Internet : www.speedcomfort.fr

Sommaire

1.	Préface	70
1.1.	Description de l'utilisateur	70
1.2.	Conventions utilisées dans ce manuel	70
1.3.	Explication des avertissements de sécurité	70
1.4.	Conservation des instructions	70
1.5.	Obtention de la documentation et d'informations	71
2.	Description du produit	72
2.1.	Utilisation prévue et usage abusif raisonnablement prévisible	72
2.2.	Aperçu du système	72
2.3.	Données techniques	73
2.4.	Principaux composants	74
3.	Informations relatives à la sécurité	75
3.1.	Comment utiliser le produit en toute sécurité	75
4.	Installation	77
4.1.	Détermination du type de votre radiateur	77
4.2.	Connexion du SpeedComfort au radiateur	78
4.3.	Optimisation du chauffage central	84
5.	Maintenance	85
5.1.	Entretien du SpeedComfort	85
6.	Dépannage	86
7.	Mise au rebut	89
7.1.	Mise au rebut du produit	89
7.2.	Élimination des déchets d'emballage	89

1. Préface

1.1. Description de l'utilisateur

Ce manuel d'installation est destiné à l'utilisateur final, au propriétaire en général, qui souhaite installer un ou plusieurs SpeedComfort sur les radiateurs de son domicile. L'utilisateur n'a pas besoin d'être qualifié, formé ou certifié pour installer le SpeedComfort.

1.2. Conventions utilisées dans ce manuel

Les conventions de style suivantes sont utilisées dans ce document :

Gras

Noms des éléments du produit

Italique

Emphase (par exemple, un nouveau terme)

1.3. Explication des avertissements de sécurité

ATTENTION

Attention indique un danger avec un niveau faible de risque qui, s'il n'est pas évité, peut entraîner des blessures mineures ou modérées.

REMARQUE

Une remarque donne une information jugée importante, mais non liée à un danger.

1.4. Conservation des instructions

Avant utilisation de ce produit, le manuel et ses consignes de sécurité doivent être lus et compris.

Suivez toutes les instructions. Le respect des instructions permet d'éviter les incendies, les explosions, les chocs électriques ou autres dangers pouvant entraîner des dommages aux biens et/ou des blessures.

Le produit ne doit être utilisé que par des personnes qui ont entièrement lu et compris le contenu du présent manuel de l'utilisateur.

Assurez-vous que chaque personne qui utilise le produit ait lu ces avertissements et instructions et les respecte.

Conservez toutes les instructions et les informations relatives à la sécurité pour pouvoir les consulter ultérieurement et transmettez-les aux futurs utilisateurs du produit.

Le fabricant décline toute responsabilité en cas de dommages matériels ou corporels causés par une mauvaise manipulation ou un non-respect des consignes de sécurité. Ces incidents entraînent une annulation de la garantie.

1.5. Obtention de la documentation et d'informations

1.5.1. Internet

La dernière version de la documentation est disponible à l'adresse suivante :
https://www.speedcomfort.nl/media/downloads/SpeedComfort_manual.pdf

1.5.2. Commande de documentation

Vous pouvez commander la documentation, les instructions d'utilisation et les informations techniques en appelant SpeedComfort au +31 85 666 62 23.

1.5.3. Commentaires sur la documentation

Si vous lisez la documentation produit de **SpeedComfort** sur Internet, vous pouvez envoyer vos commentaires sur le site Web d'assistance. Les commentaires peuvent également être envoyés à support@speedcomfort.com.

Vos commentaires seront les bienvenus.

1.5.4. Assistance et service

Pour toute information, questions, assistance technique, service ou instructions d'utilisation, veuillez contacter :

SpeedComfort

Antwoordnummer 7200

3734 ZW Den Dolder

Pays-Bas

Tél. : +31 85 666 62 23

Site Internet : www.speedcomfort.fr

2. Description du produit

2.1. Utilisation prévue et usage abusif raisonnablement prévisible

Le SpeedComfort est destiné à être utilisé comme un ventilateur ou un convecteur conçu pour être fixé à un radiateur connecté au système de chauffage central. Le SpeedComfort est conçu pour tirer de la chaleur du radiateur et ainsi aider à chauffer la pièce plus efficacement.

Le produit ne doit être utilisé que conformément aux instructions décrites dans le présent manuel. Toute utilisation autre que celle décrite dans le présent manuel est considérée comme une utilisation non prévue. Le non-respect de l'utilisation prévue annule également la garantie.

2.2. Aperçu du système

Ce produit contient plusieurs composants formant un système.

Le SpeedComfort est l'élément principal. Le SpeedComfort est connecté à un adaptateur secteur et à un capteur de température. Pour un *radiateur large* (plaques espacées de 70 mm ou plus), un seul câble optionnel est nécessaire. Pour les autres radiateurs, il suffit de repositionner les curseurs ou les pieds magnétiques :

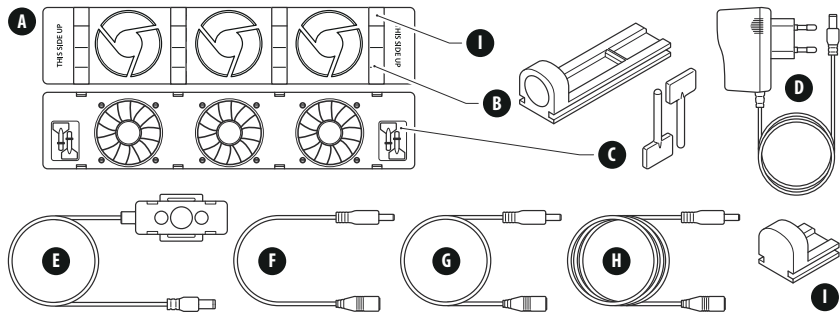
- Pour un *radiateur étroit* (plaques espacés de moins de 70 mm), positionnez les curseurs magnétiques avec l'aimant vers le haut, deux de chaque côté.
- Pour un *radiateur à plaque unique*, positionnez les curseurs magnétiques avec les quatre sur un côté, l'aimant vers le haut.
- Pour un *convecteur*, positionnez les quatre pieds intégrés dans les trous prévus à cet effet sur la face inférieure du SpeedComfort.

Des SpeedComfort supplémentaires peuvent être connectés entre eux avec des câbles (30 cm, 60 cm ou 120 cm). Ces câbles peuvent également être utilisés pour déployer les câbles de l'adaptateur secteur ou du capteur de température.

2.3. Données techniques

Paramètre	Unité
Nom du produit	SpeedComfort
Durée de vie technique : SpeedComfort	10 ans
Durée de vie technique : Adaptateur secteur	4 ans
Puissance	0,55 W
Consommation d'énergie annuelle	< 1 kWh
Niveau sonore	< 20 dB(A)
Flux d'air	30 m ³ /heure
largeur x Longueur	7 cm x 34 cm
Sortie	12 V/CC
Alimentation électrique	100 - 240 V ; 0,25 A 230 V CA
Plage de température de fonctionnement	-20 °C à +85 °C
Plage de température de stockage	-40 °C à +85 °C
Humidité relative pendant l'utilisation et le stockage	max. 80 % (sans condensation)

2.4. Principaux composants



- A. SpeedComfort
- B. Aimants réglables (4x)
- C. Pieds (4x)
- D. Adaptateur secteur
- E. Capteur de température (avec Velcro)
- F. Câble de connexion (inclus dans le kit duo, le kit trio et le kit d'extension)
- G. Câble de 60 cm (en option)
- H. Câble de 120 cm (en option)
- I. Blocs factices (4 x - n'ont aucune fonction)

3. Informations relatives à la sécurité

ATTENTION

Lisez et comprenez ce manuel et ses consignes de sécurité avant d'utiliser le SpeedComfort et les composants correspondants.

3.1. Comment utiliser le produit en toute sécurité

3.1.1. Informations de sécurité pour les personnes vulnérables

- Ne laissez jamais des enfants seuls avec un matériau d'emballage. Risque d'asphyxie.
- Les enfants ne doivent pas jouer avec le produit. Ce produit n'est pas un jouet.
- N'installez pas le produit si vous avez des capacités physiques, sensorielles ou mentales réduites.
- Veillez à ce que les personnes (y compris des enfants) ayant des capacités physiques, sensorielles ou mentales réduites ne puissent pas installer le produit.

3.1.2. Informations de sécurité liées à l'utilisation prévue

- Utilisez ce produit uniquement comme ventilateur de radiateur en le fixant à un radiateur. Suivez les instructions de ce manuel pour ce faire.

3.1.3. Limites et restrictions du produit

- N'utilisez pas d'objets pointus à proximité des ventilateurs.
- Gardez le produit éloigné d'un feu ouvert, de fers à souder ou d'autres outils chauds. Vous risqueriez d'endommager le produit.

3.1.4. Informations relatives à l'installation

- Soulevez, manipulez et transportez très délicatement le produit.
- Soyez vigilant et prudent lorsque vous installez un produit électrique. N'installez pas le produit si vous ne pouvez pas vraiment vous concentrer ou si vous risquez de perdre conscience ou si vous êtes sous l'influence de médicaments, d'alcool ou de drogues.
- Avant de connecter l'adaptateur secteur à la prise murale, assurez-vous que la tension sur place corresponde à celle indiquée sur le produit. La tension maximale admissible est de 230 V.

- Branchez le produit sur une prise secteur correctement installée et facilement accessible. Assurez-vous que le produit puisse être débranché de la prise secteur à tout moment.

3.1.5. Informations de sécurité concernant l'utilisation

- N'utilisez jamais le produit à l'extérieur. Le produit est destiné uniquement à un usage intérieur.
- Avant d'installer le produit, vérifiez que les composants ne sont pas endommagés (y compris les câbles). Retirez immédiatement l'adaptateur secteur de la prise murale en cas de dommages visibles, d'odeurs fortes ou de surchauffe des composants.

3.1.6. Informations de sécurité concernant la maintenance

- Ne jamais toucher le produit ou l'adaptateur secteur avec des mains mouillées.
- Conservez le produit à l'écart de l'humidité. Soyez prudent lorsque vous nettoyez le produit ou le radiateur auquel il est fixé. Assurez-vous que de l'eau n'entre pas dans le produit par les ventilateurs.

3.1.7. Informations de sécurité sur le service et la réparation

- N'essayez pas d'ouvrir, de modifier ou de réparer le produit. Il est interdit d'altérer ou de modifier ce produit. Vous perdrez sinon la garantie.

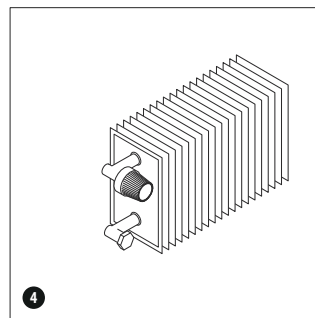
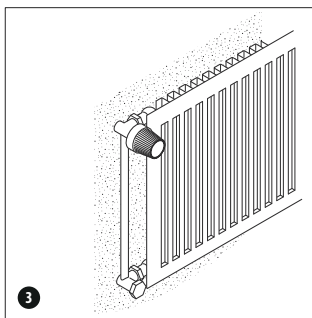
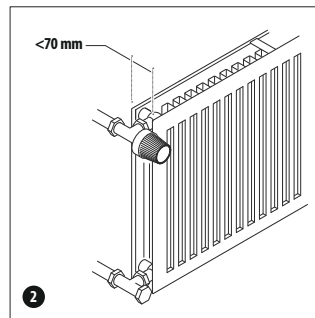
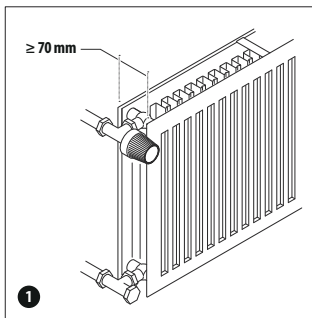
4. Installation

4.1. Détermination du type de votre radiateur

Le SpeedComfort peut être installé sur différents types de radiateurs. Chaque type de radiateur nécessite son propre mode d'installation.

Détermination du type de votre radiateur :

1. Déterminez les types de radiateurs sur lesquels vous souhaitez installer le **SpeedComfort**.



- 1 Il s'agit d'un radiateur où la distance entre les plaques est de 70 mm ou plus.
- 2 Les radiateurs étroits, sont ceux dont la distance entre les plaques est inférieure à 70 mm.
- 3 Les radiateurs à plaque unique sont des radiateurs équipés de seulement une plaque.
- 4 Les convecteurs sont des radiateurs où l'eau chaude circule à travers un tube entouré de petites ailettes. En règle générale, ce dernier est installé à l'intérieur d'un boîtier de convecteur ou d'un conduit de convecteur.

4.2. Connexion du SpeedComfort au radiateur

Le SpeedComfort peut être installé sur différents types de radiateurs. Chaque type de radiateur nécessite son propre mode d'installation. Suivez les étapes d'installation spécifiques pour ce type de radiateur.

4.2.1. Connexion du SpeedComfort à un radiateur large (distance des plaques ≥ 70 mm)

1. Assurez-vous que le **SpeedComfort** (A) soit orienté vers le haut et que les **connecteurs femelles** (1) pointent vers la prise murale (voir fig. 1).

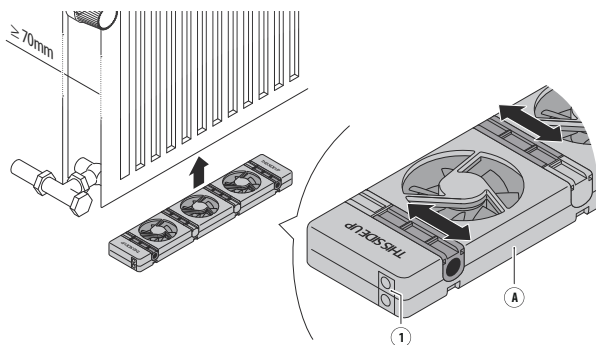


Fig. 1 - Positionnement du SpeedComfort (A).

- Identifiez un espace où les supports muraux du radiateur et les clips de connexion ne gênent pas. Fixez le **SpeedComfort** (A) en bas entre les plaques du radiateur avec les **aimants réglables** (B) (voir fig. 2). Le **SpeedComfort** (A) peut également être fixé sur le radiateur et sous un couvercle. **REMARQUE** Assurez-vous que les **ventilateurs** soient toujours orientés vers le haut !

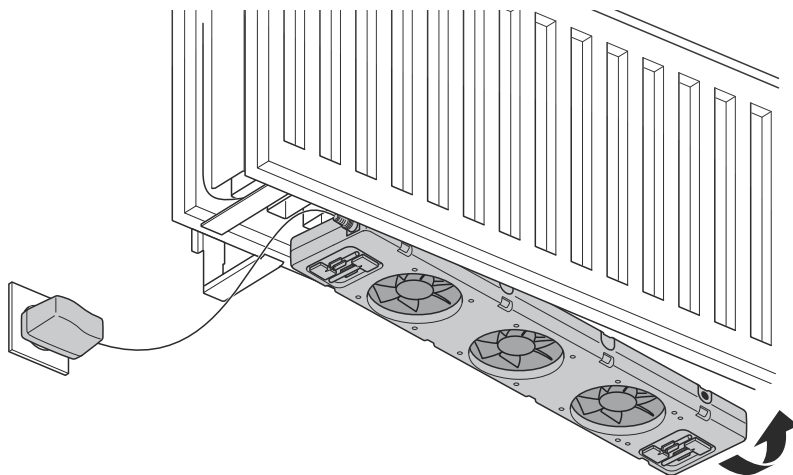


Fig. 2 - Fixation du SpeedComfort (A).

- Connectez le **câble du capteur de température** (E) à l'un des **connecteurs femelles** (1) du **SpeedComfort** (A).
- Fixez le **capteur de température** (E) avec les aimants réglables (B) à l'arrière du radiateur, à proximité du tuyau d'alimentation en eau chaude ou sur le tuyau lui-même (voir fig. 3). Régler les curseurs magnétiques à la bonne largeur.

5. Connectez l'**adaptateur secteur** (D) au **connecteur femelle restant** (1) et à la prise murale (voir fig. 3).

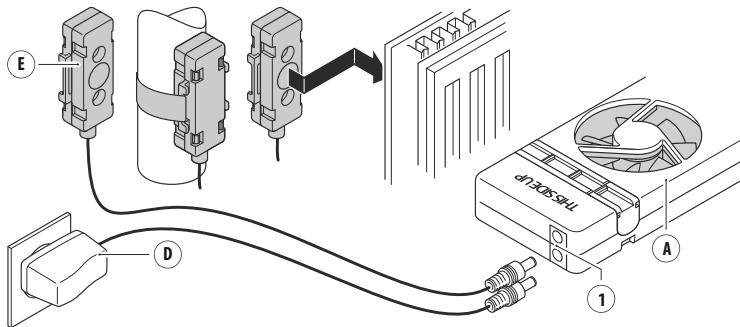


Fig. 3 - Connexion de l'adaptateur secteur (D) et du capteur de température (E).

6. Pour les radiateurs longs, connectez des appareils **SpeedComfort** supplémentaires (A) à l'aide du **câble de connexion** (F) de 30 cm de long (voir fig. 4). Plusieurs **SpeedComfort** (A) (jusqu'à 20) peuvent être connectés à un **adaptateur d'alimentation** (D). Aucun **capteur de température** (E) supplémentaire n'est nécessaire. Le kit duo et le kit trio contiennent plusieurs appareils **SpeedComfort**.

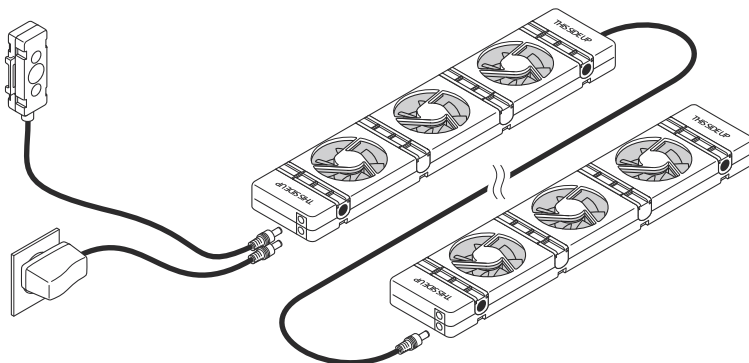


Fig. 4 - Connexion d'autres SpeedComfort (A).

7. Mettez en marche votre système de chauffage central. Attendez que le **SpeedComfort** (A) s'allume automatiquement. Cela se produit lorsque la température du radiateur dépasse 33 °C. Il s'éteint automatiquement lorsque le radiateur refroidit sous 25 °C.

4.2.2. Connexion du SpeedComfort à un radiateur étroit (distance des plaques < 70 mm)

1. Tournez les **aimants réglables** (B) de manière à ce que l'**aimant** (1) soit au-dessus (voir fig. 5). Retirez le petit bloc situé à l'opposé des aimants réglables dans le boîtier. Veuillez éliminer le petit bloc comme un déchet plastique.
2. Régler les **aimants réglables** (B) à la bonne largeur.
3. Répétez les étapes 1 à 7 comme pour le radiateur large. Utilisez les **aimants réglables** (B) pour suspendre le **SpeedComfort** (A) entre les plaques (voir fig. 5 et 6). Vous pouvez aligner le **SpeedComfort** sur l'avant du radiateur.

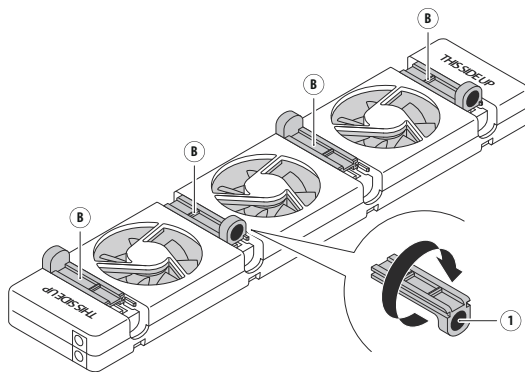


Fig. 5 - Repositionnement des aimants réglables dans le **SpeedComfort** (A).

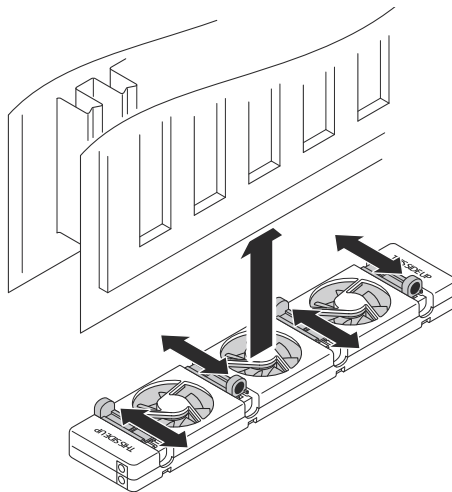


Fig. 6 - Accrochage du **SpeedComfort** (A) entre les plaques du radiateur.

4.2.3. Connexion du SpeedComfort à un radiateur à plaque unique

1. Positionnez les **aimants réglables** (B) de manière à ce que les **aimants** (1) soient du même côté et que les quatre **aimants** (1) soient orientés vers le haut. Retirez le petit bloc situé à l'opposé des aimants réglables dans le boîtier. Veuillez éliminer le petit bloc comme un déchet plastique.
2. Répétez les étapes 1 à 7 comme pour le radiateur large.
3. Utilisez les **aimants réglables** (B) pour fixer le SpeedComfort (A) sur le radiateur à plaque unique (voir fig. 7).

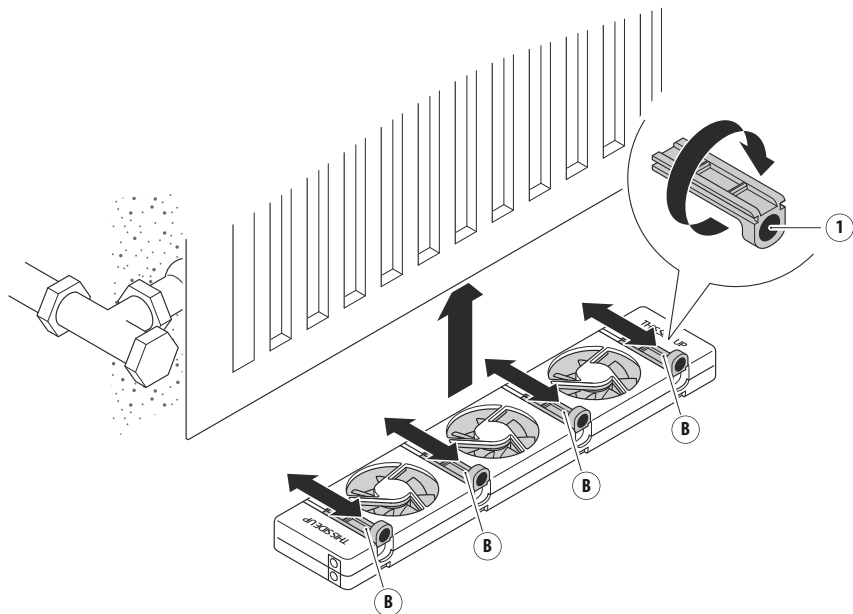


Fig. 7 - Attachez le SpeedComfort (A) à un radiateur à plaque unique.

4.2.4. Connexion du SpeedComfort à un convecteur

1. Fixez les **pieds** (C) en les enfonçant dans les **fentes** (2) du **SpeedComfort** (A).
2. Assurez-vous que le **SpeedComfort** (A) soit orienté vers le haut et que les **connecteurs femelles** (1) pointent vers la prise murale (voir fig. 9).
3. Placez le **SpeedComfort** (A) sur le haut du convecteur et laissez de l'espace entre les côtés du convecteur et le **SpeedComfort** (A) pour réduire le bruit (voir fig. 9). Le SpeedComfort peut également être placé sur le sol en-dessous du convecteur (en cas d'espace suffisant).

4. Si le bloc convecteur est en matériau magnétique, le **capteur de température** (E) avec ses aimants peut simplement être positionné au-dessus. Le capteur de température peut également être serré entre deux plaques du bloc convecteur pour un bon transfert de chaleur. Le capteur peut être fixé à un tuyau en cuivre ou à un autre endroit non magnétique à l'aide de la bande Velcro fournie.

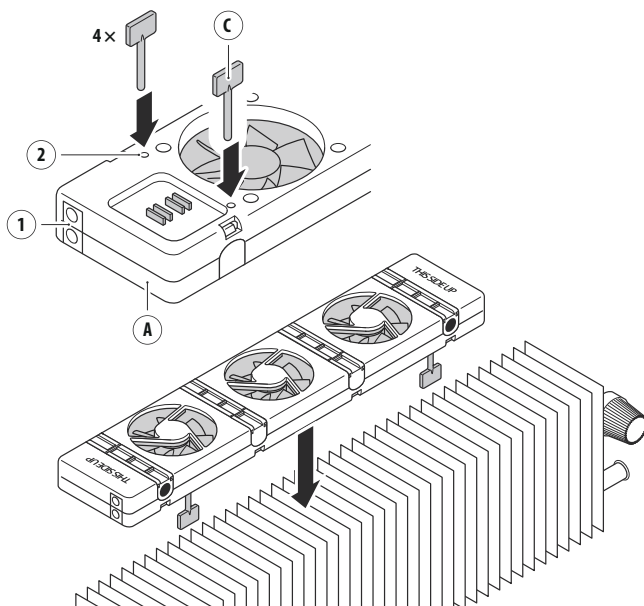


Fig. 8 - Fixation d'un pied (C).

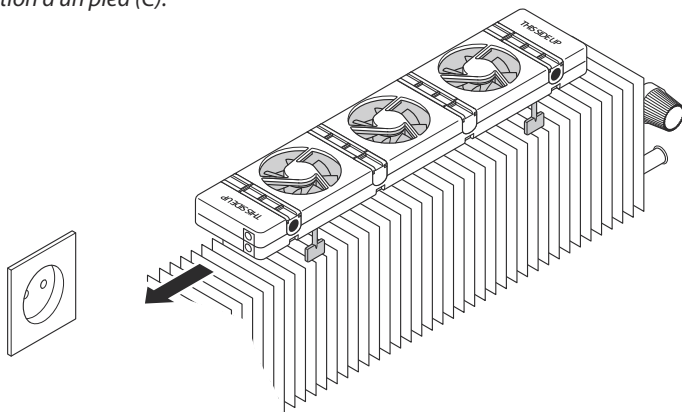


Fig. 9 - Positionnement du **SpeedComfort** (A) sur le convecteur.

4.3. Optimisation du chauffage central

Le SpeedComfort tire la chaleur du radiateur, chauffant la pièce plus rapidement et plus uniformément. Ce système permet de réduire jusqu'à 22 % la consommation d'énergie dans votre maison. Pour faire ces économies, quelques éléments doivent être toutefois optimisés : Les SpeedComfort doivent être répartis dans toute la maison ; la consigne de température du chauffage central doit être abaissée, et le système de chauffage central doit être équilibré hydroniquement.

4.3.1. Répartition des SpeedComfort

1. Installez 3 à 5 **SpeedComfort** (A) (avec les composants correspondants) dans un salon (moyen).
2. Installez un **SpeedComfort** (A) dans toutes les pièces régulièrement utilisées. Ce type d'installation permet à l'air de la pièce de circuler entièrement une fois par heure ; (un SpeedComfort circule en effet à 30 m³/h).

4.3.2. Abaissement du point de consigne de la température

1. Baissez la valeur de consigne réglée au chauffage central à au moins 60 °C. Reportez-vous au manuel de votre système de chauffage central ou demandez à votre technicien de service, d'effectuer le réglage. Si vous préférez, cette diminution peut être réalisée par petites étapes et permet de trouver le point de consigne optimal. Un point de consigne inférieur économise plus d'énergie.
2. Assurez-vous que le technicien de service de votre système de chauffage central ne le réinitialise pas aux réglages d'usine (75 - 90 °C).

Le **SpeedComfort** tire la chaleur du radiateur, chauffant la pièce plus rapidement. La chaudière peut donc s'arrêter plus tôt, économisant ainsi de l'énergie.

4.3.3. Équilibrage hydronique

Équilibrez le système de chauffage central en utilisant la vis du radiateur, le réglage du thermostat standard ou bien une vanne de radiateur séparée. **ATTENTION !** Demandez au technicien d'entretien du chauffage central de vous aider à effectuer l'équilibrage hydronique du système de chauffage central. Cette procédure n'est pas standard et nécessite une expertise.

L'équilibrage hydronique optimise la distribution de l'eau dans un circuit de chauffage. Il est nécessaire car il permet d'utiliser efficacement l'énergie et garantit que les températures ambiantes ne varient pas.

Pour en savoir plus sur l'économie d'énergie et la réduction des pertes, visitez www.speedcomfort.fr.

5. Maintenance

5.1. Entretien du SpeedComfort

5.1.1. Nettoyage du produit

Le SpeedComfort et les composants correspondants peuvent être nettoyés si nécessaire.

Pour nettoyer le produit :

1. Nettoyez le produit avec un aspirateur lorsqu'il est sale. **ATTENTION !** Assurez-vous d'utiliser l'aspirateur avec le réglage de puissance le plus bas.
2. Nettoyez le produit avec un chiffon humide uniquement si nécessaire. **ATTENTION !** Assurez-vous que l'eau n'entre pas dans le SpeedComfort à travers les ventilateurs.

5.1.2. Remplacer des composants

Les composants défectueux doivent être remplacés. **ATTENTION !** N'essayez pas d'ouvrir, de modifier ou de réparer le produit.

Remplacement des composants :

1. Échangez les composants cassés toujours sous garantie chez le fournisseur. Le SpeedComfort est garanti dix ans et l'adaptateur d'alimentation, 2 ans. **REMARQUE** Pour des raisons de sécurité et de contrôle (CE), toute altération ou modification de ce produit est interdite.
2. Éliminez les composants cassés qui ne sont pas sous garantie et achetez des composants neufs.

6. Dépannage

Problème	Cause	Solution
Le SpeedComfort (A) ne peut se loger entre les plaques du radiateur.	Le radiateur est étroit.	Suivez les étapes d'installation du SpeedComfort avec un radiateur étroit.
Le SpeedComfort (A) ne rentre pas au bas du radiateur.	Il y a trop peu d'espace.	Placez le SpeedComfort (A) au-dessus du radiateur. Les performances du produit n'en seront pas altérées. Le bas n'est préférable que parce qu'il est moins visible. Assurez-vous que le SpeedComfort (A) soit toujours orienté vers le haut.
Le SpeedComfort (A) doit être fixé en haut du radiateur, mais le radiateur a un couvercle.	N/A	Placez le SpeedComfort (A) sous le couvercle. Gardez à l'esprit que cette installation expose le SpeedComfort (A) à des températures plus élevées, ce qui peut limiter légèrement sa durée de vie
Impossible de connecter le SpeedComfort (A) à la prise murale.	Le SpeedComfort (A) a été placé avec les deux connexions femelles du mauvais côté ou le câble de l' adaptateur d'alimentation (D) n'est pas assez long.	Tournez le SpeedComfort (A) afin que les deux connexions femelles (1) soient orientées dans l'autre sens ou achetez et connectez le câble de l'adaptateur secteur (D) à un câble plus long (G ou H).
Je ne peux pas connecter deux appareils SpeedComfort (A) avec le câble de connexion (F) de 30 cm de long fourni.	La distance est trop grande/Le câble est trop court.	Achetez un câble supplémentaire de 60 cm ou 120 cm de long (G ou H) pour connecter les appareils SpeedComfort (A).
Le capteur de température (E) ne peut pas atteindre le tuyau d'arrivée d'eau chaude.	Le câble du capteur de température est trop court.	Achetez un câble supplémentaire de 60 cm ou 120 cm de long (G ou H) et connectez-le avec le câble du capteur de température . Sinon, le capteur de température (E) peut également être fixé à l'arrière du radiateur.

<p>Impossible d'installer le SpeedComfort (A) entre le mur et le radiateur à plaque unique.</p>	<p>L'espace est généralement trop petit (moins de 70 mm).</p>	<p>Suivez les étapes d'installation pour les radiateurs à plaque unique. Si l'espace entre l'arrière du radiateur et le mur est insuffisant, veuillez fixer les pieds (C) au SpeedComfort (A) et positionner le produit sur le sol sous le radiateur.</p>
<p>Le SpeedComfort (A) ne s'est pas allumé après avoir été connecté à la prise murale.</p>	<p>Le capteur de température (E) n'enregistre pas de température de 33 °C ou plus ou le SpeedComfort (A) n'est pas alimenté en électricité.</p>	<ul style="list-style-type: none"> • Assurez-vous que le radiateur est au moins à 33 degrés. • Vérifiez si le capteur de température (E) est fixé directement au tuyau d'arrivée d'eau chaude ou à proximité de celui-ci où le radiateur chauffe. • Assurez-vous que le capteur de température (E) fasse un bon contact. • Si le radiateur ne chauffe pas correctement, purgez le circuit de chauffage central et envisagez un équilibrage hydronique. • Assurez-vous que la prise murale fonctionne et que l'adaptateur secteur (D) soit correctement inséré.
<p>Impossible de fixer le capteur de température (E) sur le convecteur.</p>	<p>Les convecteurs fabriqués en cuivre ou en aluminium ne sont pas magnétiques.</p>	<p>Fixez le capteur de température (E) avec la bande Velcro fournie ou serrez le capteur de température entre deux plaques minces dans le bloc convecteur.</p>
<p>Le SpeedComfort (A) ne semble pas augmenter la puissance calorifique du radiateur.</p>	<p>Il se peut que le SpeedComfort (A) soit orienté vers le bas. Ce positionnement provoque un écoulement de l'air dans la mauvaise direction ; contre le flux plutôt qu'avec le flux.</p>	<p>Tournez le SpeedComfort (A) pour que le SpeedComfort (A) soit orienté vers le haut. Le haut est le côté où les ventilateurs sont couverts de trois bandes de protection blanches.</p>


<p>Je n'économise pas 22 % sur ma facture d'énergie.</p>	<p>Le système de chauffage central n'est pas suffisamment optimisé ou le système de chauffage central fonctionnait de manière optimale avant l'installation du SpeedComfort (A).</p>	<p>Optimisez le système de chauffage central (voir section 4.3) en répartissant les SpeedComfort (A), en ajustant la consigne de température et en assurant un équilibrage hydronique. Si le système de chauffage central a fonctionné de manière optimale avant l'installation des appareils SpeedComfort (A), les 22 % d'économies d'énergie risquent de ne pas être réalisables. Le comportement des utilisateurs peut également avoir un impact sur les économies maximales qui peuvent être atteintes.</p>
<p>Radiateur en fonte ancien ou radiateur à plaque unique avec distance envers le mur < 55 mm.</p>	<p>Pas l'un des 4 types de radiateurs mentionnés.</p>	<p>Fixez les pieds (C) sur le SpeedComfort (A) et placez-les au sol sous le radiateur.</p>
<p>Le SpeedComfort (A) fait trop de bruit lorsqu'il est placé sur le convecteur.</p>	<p>Ce problème peut être dû à un bruit de contact.</p>	<p>Assurez-vous que le SpeedComfort (A) ne touche aucune pièce métallique. Les pieds (C) doivent donc être également fixés.</p>
<p>Le SpeedComfort (A) ne se met pas hors tension lorsque le radiateur est hors tension/froid.</p>	<p>Le capteur de température (E) ne le met pas hors tension.</p>	<p>Assurez-vous que le SpeedComfort (A) soit correctement connecté à un capteur de température (E).</p>

Vous pouvez trouver des réponses aux questions fréquemment posées (FAQ) sur : www.speedcomfort.fr.

7. Mise au rebut

7.1. Mise au rebut du produit



Le symbole sur le produit indique que ce produit ne doit pas être traité comme des déchets municipaux non triés, mais doit être collecté séparément ! Jetez le produit via un point de recyclage d'équipements électriques et électroniques usagés si vous vivez dans l'UE et d'autres pays européens qui exploitent des  systèmes de collecte séparés destinés aux équipements électriques et électroniques usagés. En jetant le produit de manière appropriée, vous contribuez à protéger l'environnement et la santé publique des dangers liés à un traitement inadéquat des équipements usagés. Le recyclage des matériaux contribue à la préservation des ressources naturelles. Par conséquent, ne jetez pas vos équipements électriques et électroniques avec les déchets municipaux non triés.

7.2. Élimination des déchets d'emballage

Jetez l'emballage via vos installations de recyclage locales. En jetant l'emballage et les déchets d'emballage de manière appropriée, vous contribuez à éviter des risques éventuels pour l'environnement et la santé publique.

Disclaimer

SpeedComfort doet geen toezeggingen en geeft geen garanties af met betrekking tot deze handleiding en beperkt, voor zover maximaal wettelijk toegestaan, uitdrukkelijk haar aansprakelijkheid voor het niet nakomen van enige garantie als gevolg van de vervanging van deze handleiding door een andere. Bovendien behoudt SpeedComfort zich het recht voor om deze publicatie te allen tijde te herzien zonder de verplichting iemand op de hoogte te stellen van de herziening.

De informatie in deze documentatie bevat algemene beschrijvingen en technische eigenschappen van de prestaties van de in deze documentatie vermelde producten. Deze documentatie is niet bedoeld als vervanging voor en mag niet worden gebruikt om de geschiktheid of betrouwbaarheid van deze producten te bepalen voor specifieke gebruikerstoepassingen. SpeedComfort en haar gelieerde ondernemingen of dochterondernemingen zijn niet verantwoordelijk of aansprakelijk voor misbruik van de in dit document vermelde informatie. Als u suggesties voor verbeteringen of wijzigingen heeft of fouten in deze documentatie heeft gevonden, geef dit dan a.u.b. aan ons door.

Het niet in acht nemen van deze informatie kan lichamelijk letsel of schade aan de apparatuur tot gevolg hebben.

Copyright © 2021 SpeedComfort

Alle rechten voorbehouden. Niets uit deze documentatie mag worden verveelvoudigd, verspreid of verzonden worden - in welke vorm of op welke manier dan ook - inclusief fotokopiëren, opnemen of andere elektronische of mechanische methodes, zonder de voorafgaande schriftelijke toestemming van de producent. Voor toestemming stuurt u een verzoek t.a.v. de 'Toestemmingscoördinator' naar het onderstaande adres.

SpeedComfort

Antwoordnummer 7200

3734 ZW Den Dolder

Nederland

Tel.: +31 85 666 62 23

E-mail: info@speedcomfort.com

Website: www.speedcomfort.nl

Inhoudsopgave

1.	Inleiding	92
1.1.	Beschrijving van de gebruiker	92
1.2.	Tekstopmaak die in deze handleiding wordt gebruikt	92
1.3.	Uitleg over de veiligheidswaarschuwingen	92
1.4.	Instructies m.b.t. de handleiding	92
1.5.	Documentatie en informatie verkrijgen	93
2.	Beschrijving van het product	94
2.1.	Beoogd gebruik en redelijk te voorzien onjuist gebruik	94
2.2.	Overzicht van het systeem	94
2.3.	Technische gegevens	95
2.4.	Belangrijkste onderdelen	96
3.	Veiligheidsinstructies	97
3.1.	Een veilig gebruik van het product	97
4.	Installatie	99
4.1.	Bepalen van uw type radiator	99
4.2.	SpeedComfort op een radiator bevestigen	100
4.3.	Optimaliseren van de centrale verwarming	106
5.	Onderhoud	107
5.1.	Hoe de SpeedComfort te onderhouden	107
6.	Problemen oplossen	108
7.	Afvalverwijdering	111
7.1.	Verwijdering van het product als afval	111
7.2.	Verwijdering van het verpakkingsmateriaal als afval	111

1. Inleiding

1.1. Beschrijving van de gebruiker

Deze installatiehandleiding is bedoeld voor de eindgebruiker - in het algemeen de bewoner en/of woningeigenaar - die een of meer SpeedComforts op de radiatoren in zijn woning wil installeren. De gebruiker hoeft geen bijzondere vaardigheden, training of bevoegdheid te hebben om de SpeedComfort te installeren.

1.2. Tekstopmaak die in deze handleiding wordt gebruikt

In dit document wordt de volgende tekstopmaak gebruikt:

Vet

Namen van productelementen

Cursief

Benadrukking (bijvoorbeeld een nieuw begrip)

1.3. Uitleg over de veiligheidswaarschuwingen

VOORZICHTIG

'VOORZICHTIG' duidt op een gevaar met een laag risico dat bij onachtzaamheid, licht of matig lichamelijk letsel tot gevolg kan hebben.

OPMERKING

'OPMERKING' duidt op informatie die belangrijk wordt geacht, maar geen gevaar inhoudt.

1.4. Instructies m.b.t. de handleiding

Lees deze handleiding en de veiligheidsinstructies goed door en zorg ervoor dat u de inhoud begrijpt, voordat u dit product gaat gebruiken.

Volg alle instructies op. Dit voorkomt brand, explosies, elektrische schokken of andere gevaren die lichamelijk letsel en/of materiële schade tot gevolg kunnen hebben.

Het product mag alleen worden gebruikt door personen die deze gebruiksaanwijzing helemaal hebben gelezen en de inhoud ervan hebben begrepen.

Zorg ervoor dat iedereen die het product gebruikt deze waarschuwingen en instructies heeft gelezen en deze in acht neemt.

Bewaar alle veiligheidsinformatie en -instructies voor toekomstig gebruik en geef ze door aan volgende gebruikers van het product.

De fabrikant is niet aansprakelijk voor gevallen van materiële schade en/of persoonlijk letsel veroorzaakt door onjuiste behandeling of het niet naleven van de veiligheidsinstructies. In dergelijke gevallen vervalt de garantie.

1.5. Documentatie en informatie verkrijgen

1.5.1. Internet

De nieuwste versie van de documentatie is beschikbaar op de volgende webpagina:
https://www.speedcomfort.nl/media/downloads/SpeedComfort_manual.pdf

1.5.2. Bestellen van documentatie

Neem voor het bestellen van documentatie, gebruiksaanwijzingen en technische informatie telefonisch contact op met SpeedComfort via nummer: +31 85 666 62 23.

1.5.3. Feedback m.b.t. de documentatie

Als u de productdocumentatie van **SpeedComfort** op het internet leest, dan kunt u uw opmerkingen plaatsen op de support-website. Opmerkingen kunnen ook worden verstuurd naar support@speedcomfort.com.

Wij stellen uw opmerkingen op prijs.

1.5.4. Ondersteuning en service

Neem voor informatie, vragen, technische ondersteuning, service of het bestellen van gebruiksaanwijzingen contact op met:

SpeedComfort

Antwoordnummer 7200

3734 ZW Den Dolder

Nederland

Tel.: +31 85 666 62 23

Website: www.speedcomfort.nl

2. Beschrijving van het product

2.1. Beoogd gebruik en redelijk te voorzien onjuist gebruik

De SpeedComfort is bedoeld om te worden gebruikt als een op een cv-radiator of convector te bevestigen ventilator. De SpeedComfort is bedoeld om warmte van de radiator te onttrekken met als doel het betreffende vertrek effectiever te verwarmen.

Het product mag uitsluitend worden gebruikt in overeenstemming met de instructies in deze gebruiksaanwijzing. Elk ander gebruik dan beschreven in deze gebruiksaanwijzing wordt beschouwd als niet-beoogd gebruik. Hierdoor vervalt tevens de garantie.

2.2. Overzicht van het systeem

Dit product bevat verschillende onderdelen die samen een systeem vormen.

De SpeedComfort is het belangrijkste onderdeel. Op de SpeedComfort is een voedingsadapter en een temperatuursensor aangesloten. Dat is alles - behalve enkele optionele kabels - wat u nodig heeft voor een *brede radiator* (platen met een tussenafstand van 70 mm of meer). Voor andere soorten radiatoren hoeft u alleen maar de magneetschuijfes of pootjes anders te plaatsen:

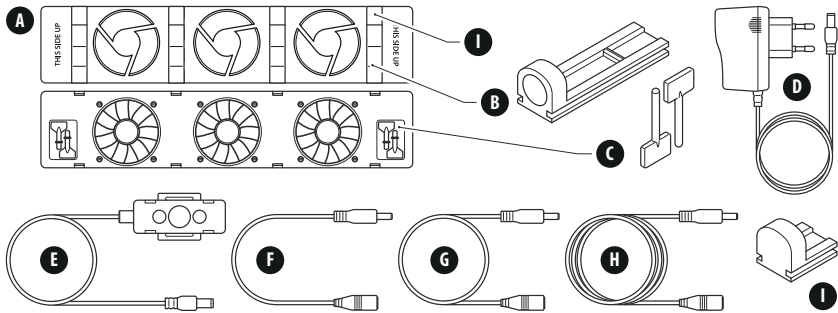
- Voor een *smalle radiator* (platen met een afstand minder dan 70 mm) plaatst u de magneetschuijfes met de magneet naar boven, twee aan elke zijde.
- Voor een *enkelplaatsradiator* plaatst u de magneetschuijfes met de magneet naar boven, alle vier aan één zijde.
- Voor een *convector* plaatst u de vier geïntegreerde voetjes in de daarvoor gemaakte gaatjes in de onderkant van de SpeedComfort.

Met behulp van de kabels (30, 60 of 120 cm) kunt u meerdere SpeedComforts met elkaar verbinden. Deze kabels kunnen ook worden gebruikt om de kabels van de voedingsadapter en/of temperatuursensor te verlengen.

2.3. Technische gegevens

Item	Eenheid
Productnaam	SpeedComfort
Technische levensduur: SpeedComfort	10 jaar
Technische levensduur: Voedingsadapter	4 jaar
Vermogen	0,55 W
Jaarlijks energieverbruik	< 1 kWh
Geluidsniveau	< 20 dB(A)
Luchtstroom	30m ³ /uur
Breedte x Lengte	7cm x 34cm
Uitgang	12 VDC
Stroomvoorziening	100-240 V; 0,25 A 230 VAC
Bereik operationele temperatuur	-20 °C tot +85 °C
Bereik opslagtemperatuur	-40 °C tot +85 °C
Relatieve vochtigheid tijdens gebruik en opslag	max. 80 % (niet-condenserend)

2.4. Belangrijkste onderdelen



- A. SpeedComfort
- B. Verstelbare magneten (4x)
- C. Voetjes (4x)
- D. Voedingsadapter
- E. Temperatuursensor (met klittenband)
- F. Koppelkabeltje (inclusief bij Duoset, Trioset en Extension set)
- G. 60 cm kabel (optioneel)
- H. 120 cm kabel (optioneel)
- I. Dummie blokjes (4x - hebben geen functie)

3. Veiligheidsinstructies

VOORZICHTIG

Lees deze handleiding en de veiligheidsinstructies goed door en zorg ervoor dat u de inhoud begrijpt, voordat u de SpeedComfort met de bijpassende onderdelen gaat gebruiken.

3.1. Een veilig gebruik van het product

3.1.1. Veiligheidsinformatie voor kwetsbare mensen

- Laat kinderen nooit alleen bij het verpakkingsmateriaal. Er bestaat gevaar voor verstikking.
- Kinderen mogen niet met het product spelen. Dit product is geen speelgoed.
- Installeer het product niet wanneer u lichamelijk, sensorisch of geestelijk beperkt bent.
- Laat het product niet installeren door personen (met inbegrip van kinderen) met een beperkt lichamelijk, sensorisch of geestelijk vermogen.

3.1.2. Veiligheidsinformatie m.b.t. het beoogde gebruik

- Gebruik dit product uitsluitend als radiatorventilator door het aan een radiator te bevestigen. Volg daartoe de instructies in deze gebruiksaanwijzing op.

3.1.3. Productbeperkingen

- Gebruik geen scherpe voorwerpen in de buurt van de ventilatoren.
- Houd het product uit de buurt van open vuur, soldeerbouten of andere hete gereedschappen, omdat het product anders beschadigd zou kunnen raken.

3.1.4. Veiligheidsinformatie m.b.t. het installeren

- U moet het product zeer zorgvuldig optillen, behandelen en vervoeren.
- Let op en wees voorzichtig bij het installeren van een elektrisch product. Installeer het product niet als u zich niet goed kunt concentreren, zich niet lekker voelt of wanneer u onder invloed bent van medicijnen, alcohol of drugs.
- Voordat u de voedingsadapter in het stopcontact steekt, moet u controleren of de plaatselijke netspanning overeenkomt met de spanning die op het product vermeld staat. De maximaal toegestane spanning is 230V.
- Sluit het product aan op een correct geïnstalleerd en gemakkelijk toegankelijk stopcontact. Zorg ervoor dat het product te allen tijde kan worden losgekoppeld van de stroomvoorziening.

3.1.5. Veiligheidsinformatie m.b.t. het gebruik

- Gebruik het product nooit buitenshuis. Het product is alleen bedoeld voor gebruik binnenshuis.
- Controleer alle onderdelen (inclusief kabels) op eventuele beschadiging voordat u het product gaat installeren. Trek de voedingsadapter onmiddellijk uit het stopcontact in geval van zichtbare beschadiging, sterke geur of oververhitting van de onderdelen.

3.1.6. Veiligheidsinformatie m.b.t. onderhoud

- Raak het product en/of de voedingsadapter nooit met natte handen aan.
- Houd het product uit de buurt van vocht. Wees voorzichtig bij het schoonmaken van het product en/of de radiator waarop het product is aangebracht. Let op dat er geen water door de ventilatoren in het product terecht komt.

3.1.7. Veiligheidsinformatie m.b.t. service en reparatie

- Probeer het product niet te openen, te veranderen of te repareren. Het wijzigen of modificeren van dit product is niet toegestaan. Hierdoor vervalt de garantie.

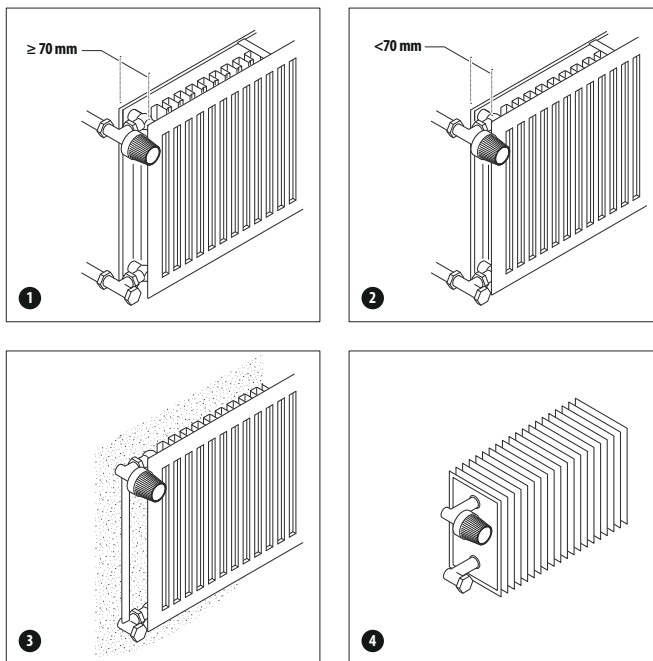
4. Installatie

4.1. Bepalen van uw type radiator

De SpeedComfort kan op verschillende soorten radiatoren worden aangebracht. Voor elke soort radiator is de installatie verschillend.

Het bepalen van uw type radiator:

1. Inventariseer de soorten radiatoren waarop u de **SpeedComfort** wilt aanbrengen.



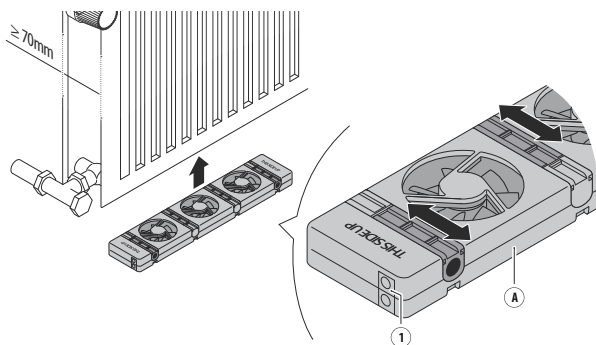
- 1 Brede radiatoren zijn radiatoren waarbij de afstand tussen de platen 70 mm of meer is.
- 2 Smalle radiatoren zijn radiatoren waarbij de afstand tussen de platen minder dan 70mm bedraagt.
- 3 Enkelplaat radiatoren hebben slechts één plaat.
- 4 Convectoren zijn radiatoren waar het warme water door een buis stroomt, die omgeven is door kleine metalen lamellen. Een convector is normaal gesproken geïnstalleerd in een convectorbehuizing of een convectorput.

4.2. SpeedComfort op een radiator bevestigen

De SpeedComfort kan op verschillende soorten radiatoren worden aangebracht. Voor elke soort radiator is de installatie verschillend. Volg de specifieke installatiestappen voor dat type radiator.

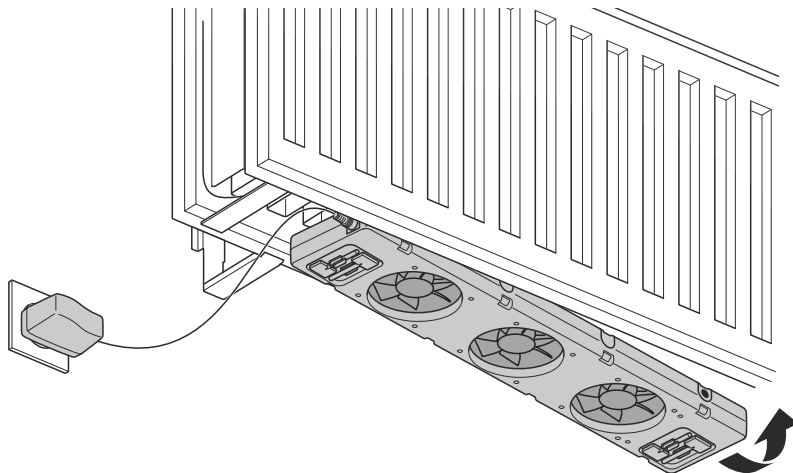
4.2.1. SpeedComfort op een brede radiator (platen ≥ 70 mm tussenafstand) bevestigen

1. Zorg ervoor dat de **SpeedComfort** (A) naar boven wijst en dat de **vrouwelijke connectoren** (1) richting stopcontact wijzen (zie afb. 1).



Afb. 1 - Locatie van de SpeedComfort (A).

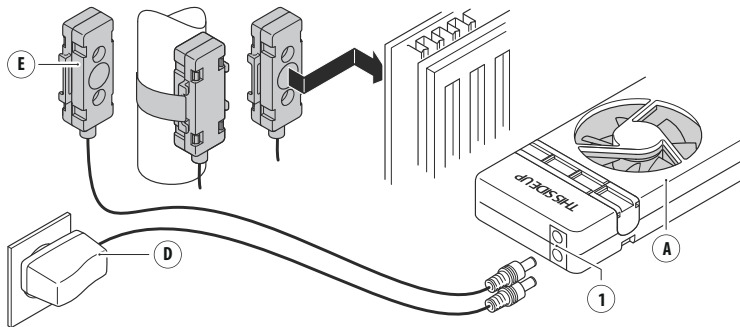
2. Bepaal een plek waar de muurbeugels en vasthouders van de radiator niet in de weg zitten. Bevestig de **SpeedComfort (A)** aan de onderkant tussen de platen van de radiator met de **verstelbare magneten (B)** (zie afb. 2). De **SpeedComfort (A)** kan ook aan de bovenkant van de radiator en onder een afdekkap worden bevestigd. **OPMERKING** Zorg ervoor dat de **ventilatoren** ook dan naar boven wijzen!



Afb. 2 - Bevestigen van de SpeedComfort (A).

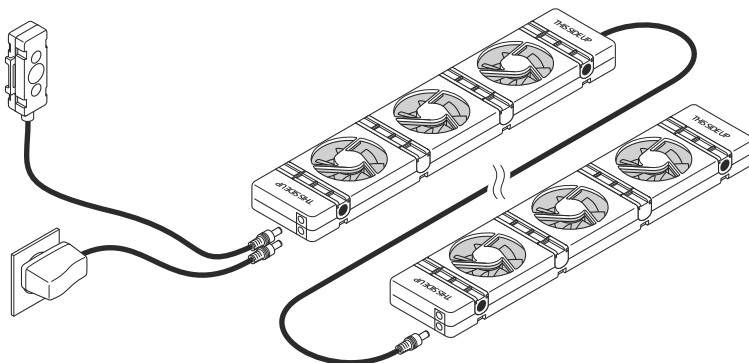
3. Sluit de **kabel van de temperatuursensor (E)** aan op een van de **vrouwelijke connectoren (1)** van de **SpeedComfort (A)**.
4. Bevestig de **temperatuursensor (E)** met de verstelbare magneten (B) aan de achterkant van de radiator, in de buurt van de warmwatertoevoerbuis, of aan de toevoerbuis zelf (zie afb. 3). Stel de magneetschuijfjes af op de juiste breedte.

5. Sluit de **voedingsadapter** (D) aan op de andere **vrouwelijke connector** (1) en steek de adapter in het stopcontact (zie afb. 3).



Afb. 3 - Aansluiten van de voedingsadapter (D) en temperatuursensor (E).

6. Voor lange radiatoren kunt u extra **SpeedComforts** (A) koppelen met de 30 cm lange **koppelkabels** (F) (zie afb. 4). Er kunnen meerdere **SpeedComforts** (A) (max. 20) op één **voedingsadapter** (D) worden aangesloten. Extra **temperatuursensoren** (E) zijn niet nodig. De Duo-set en Trio-set bevatten meerdere **SpeedComforts**.

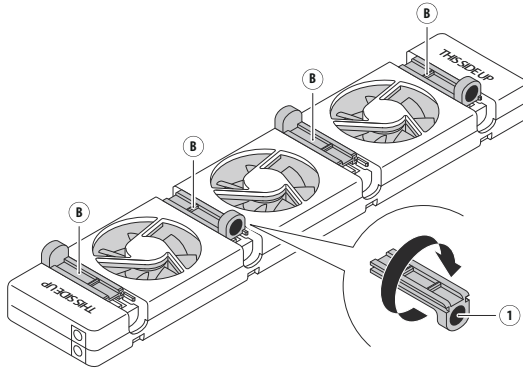


Afb. 4 - Aansluiten van meerdere SpeedComforts (A).

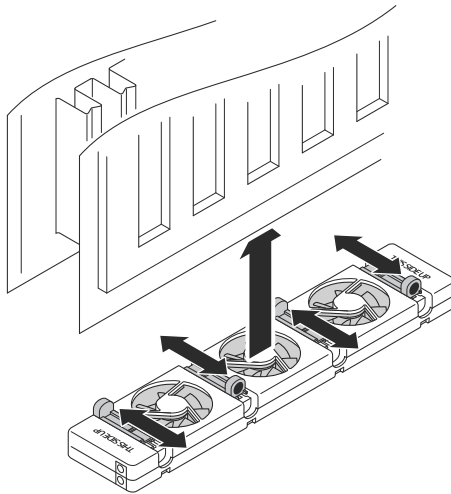
7. Schakel uw cv-installatie in. Wacht tot de **SpeedComfort** (A) automatisch inschakelt. Dit gebeurt zodra de temperatuur van de radiator hoger wordt dan 33 °C. De SpeedComfort schakelt automatisch uit wanneer de radiator afkoelt tot 25 °C.

4.2.2. SpeedComfort op een smalle radiator (< 70 mm tussenafstand) bevestigen

1. Draai de **verstelbare magneten** (B) om, zodat het **magneet** (1) zich aan de bovenzijde bevindt (zie afb. 5). Verwijder het blokje dat tegenover de verstelbare magneten in de behuizing zit. Voer het blokje af als plastic afval.
2. Stel de **verstelbare magneten** (B) af op de juiste breedte.
3. Voer dezelfde stappen 1-7 als voor de brede radiator uit. Gebruik de **verstelbare magneten** (B) om de **SpeedComfort** (A) tussen de platen te bevestigen (zie fig. 5 en 6). U kunt de **SpeedComfort** uitlijnen met de voorkant van de radiator.



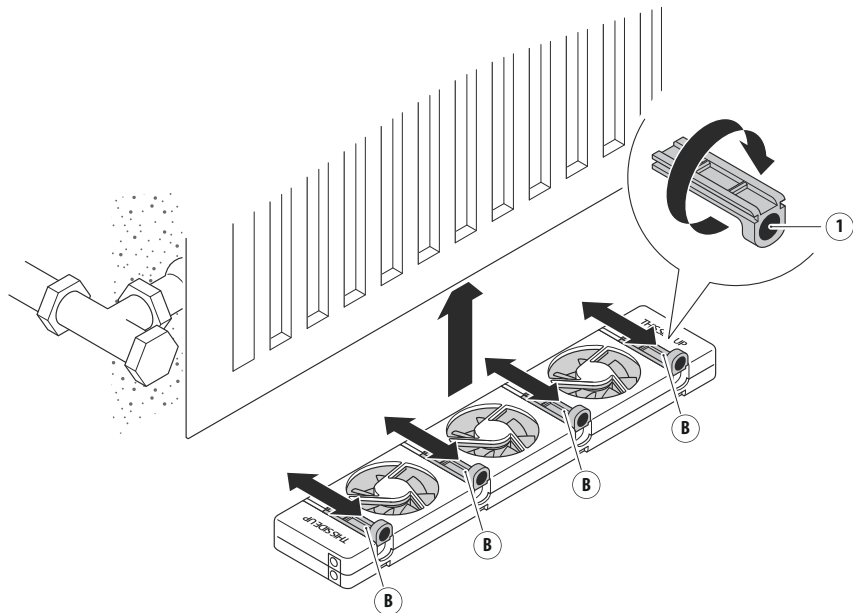
Afb. 5 - Verstelbare magneten terugplaatsen in de **SpeedComfort** (A).



Afb. 6 - **SpeedComfort** (A) tussen de platen van de radiator aanbrengen.

4.2.3. SpeedComfort op een enkelplaat radiator bevestigen

1. Plaats de **verstelbare magneten** (B) dusdanig dat de **magneten** (1) zich aan dezelfde zijde bevinden en de **magneten** (1) alle vier omhoog wijzen. Verwijder het blokje dat tegenover de verstelbare magneten in de behuizing zit. Voer het blokje af als plastic afval.
2. Voer dezelfde stappen 1-7 als voor de brede radiator uit.
3. Gebruik de **verstelbare magneten** (B) om de SpeedComfort (A) op de enkelplaat radiator te bevestigen (zie afb. 7).

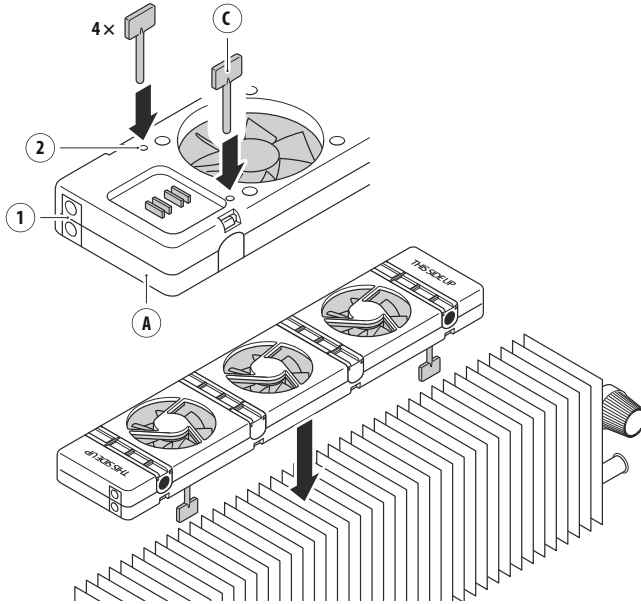


Afb. 7 - Bevestig de SpeedComfort (A) op een enkelplaat radiator.

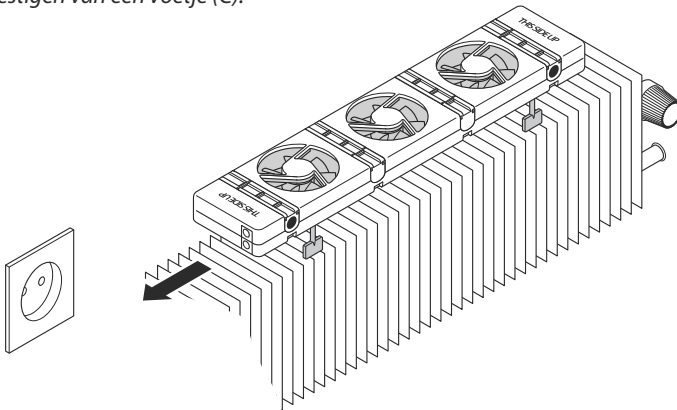
4.2.4. SpeedComfort op een convector bevestigen

1. Bevestig de **voetjes** (C) door deze in de **inkepingen** (2) van de **SpeedComfort** (A) te drukken.
2. Zorg ervoor dat de **SpeedComfort** (A) naar boven wijst en dat de **vrouwelijke connectoren** (1) richting stopcontact wijzen (zie afb. 9).
3. Plaats de **SpeedComfort** (A) op de bovenkant van de convector en laat ruimte vrij tussen de zijkanten van de convector en de **SpeedComfort** (A) om het geluid te verminderen (zie afb. 9). De SpeedComfort kan ook op de grond onder de convector worden geplaatst als de ruimte dit toelaat.

4. Als het convectorblok van magnetisch materiaal is gemaakt, kan de **temperatuursensor** (E) eenvoudig met zijn magneten hierop worden geplaatst. Voor goede warmteoverdracht kan de temperatuursensor ook tussen twee plaatjes van het convectorblok worden geklemd. Met het meegeleverde klittenbandje kan de sensor op een koperen leiding of andere niet-magnetische plek worden aangebracht.



Afb. 8 - Bevestigen van een voetje (C).



Afb. 9 - Plaats de **SpeedComfort** (A) op de convector.

4.3. Optimaliseren van de centrale verwarming

De SpeedComfort onttrekt warmte uit de radiator en verwarmt het betreffende vertrek sneller en gelijkmatiger. Dit kan het energieverbruik in uw woning tot 22% verminderen. Om deze besparing te realiseren, moeten echter een aantal zaken worden geoptimaliseerd: De SpeedComforts moeten over de hele woning worden verspreid; het temperatuur instelpunt van de cv-ketel moet worden verlaagd; en het centrale verwarmingssysteem moet waterzijdig ingeregeld zijn.

4.3.1. Verdelen van de SpeedComforts

1. Installeer in een (gemiddelde) woonkamer 3 tot 5 **SpeedComforts** (A) (met bijpassende onderdelen).
2. Installeer **SpeedComforts** (A) in alle regelmatig gebruikte vertrekken.

Dit zorgt ervoor dat alle lucht in het vertrek één keer per uur wordt gecirculeerd (de SpeedComfort circuleert 30 m³ lucht per uur).

4.3.2. Verlagen van het temperatuur instelpunt

1. Verlaag handmatig het temperatuur instelpunt van de centrale verwarming tot ten minste 60 °C. Raadpleeg de handleiding van uw cv-installatie of vraag een servicemonteur om dit te doen. Dit kan eventueel stapsgewijs worden gedaan om het optimale instelpunt te vinden. Een lager instelpunt bespaart meer energie.
2. Zorg ervoor dat de servicemonteur van de cv-installatie het instelpunt niet terugzet naar de fabrieksinstellingen (75 - 90 °C).

De **SpeedComfort** onttrekt warmte aan de radiator en verwarmt het betreffende vertrek sneller. Hierdoor kan de cv-ketel eerder uitschakelen, waardoor energie wordt bespaard.

4.3.3. Waterzijdig inregelen

Optimaliseer de werking van uw cv-installatie middels de radiatorschroef, de standaard instelling van de thermostaat of een afzonderlijke radiatorkraan. **VOORZICHTIG!** Vraag een cv-servicemonteur om u te helpen bij het waterzijdig inregelen van de cv-installatie. Dit is geen standaardprocedure en vereist specialistische kennis.

Waterzijdig inregelen optimaliseert de distributie van het water in een cv-installatie. Dit is nodig voor een efficiënt gebruik van energie en zorgt ervoor dat de temperaturen in de vertrekken niet variëren.

Meer informatie over energiebesparing en minder verliezen vindt u op:
www.speedcomfort.nl.

5. Onderhoud

5.1. Hoe de SpeedComfort te onderhouden

5.1.1. Product reinigen

De SpeedComfort en bijpassende onderdelen kunnen indien nodig gereinigd worden.

Om het product te reinigen:

1. Als het product vuil is, reinig het dan met een stofzuiger. **VOORZICHTIG!** Zorg ervoor dat u de laagste zuigkracht op de stofzuiger instelt.
2. Reinig het product indien echt nodig met een vochtige doek. **VOORZICHTIG!** Let op dat er geen water door de ventilatoren in de SpeedComfort terechtkomt.

5.1.2. Vervangen van onderdelen

Als er een onderdeel kapot gaat, dan moet het vervangen worden. **VOORZICHTIG!** Probeer het product niet te openen, te veranderen of te repareren.

Om onderdelen te vervangen:

1. Laat defecte onderdelen die nog steeds onder de garantie vallen, vervangen door de leverancier. De SpeedComfort heeft een garantie van tien jaar en de voedingsadapter heeft een garantie van twee jaar. **OPMERKING** Om veiligheids- en controle redenen (CE) zijn wijzigingen of modificaties van dit product niet toegestaan.
2. Defecte onderdelen die niet meer onder de garantie vallen, moet u weggooien en vervangen door nieuwe onderdelen.

6. Problemen oplossen

Probleem	Oorzaak	Oplossing
SpeedComfort (A) past niet tussen de radiatorplaten.	U heeft een smalle radiator.	Volg de instructies voor de installatie van de Speedcomfort op een smalle radiator op.
SpeedComfort (A) past niet aan de onderkant van de radiator.	Er is te weinig ruimte.	Plaats de SpeedComfort (A) aan de bovenkant van de radiator. Dit heeft geen invloed op de prestaties. De onderkant heeft alleen de voorkeur omdat het product dan minder zichtbaar is. Zorg ervoor dat de SpeedComfort (A) ook dan naar boven wijst.
De SpeedComfort (A) moet aan de bovenkant van de radiator worden bevestigd, maar de radiator heeft een afdekkap.	N.V.T.	Plaats de SpeedComfort (A) onder de afdekkap. Houd er rekening mee dat hierdoor de SpeedComfort (A) wordt blootgesteld aan hogere temperaturen, waardoor de levensduur enigszins korter kan zijn.
Kan de SpeedComfort (A) niet aansluiten op het stopcontact.	De SpeedComfort (A) is aangebracht met de twee vrouwelijke connectoren aan de verkeerde kant of de kabel van de voedingsadapter (D) is niet lang genoeg.	Draai de SpeedComfort (D) om zodat de twee vrouwelijke connectoren in de andere richting wijzen of sluit de kabel van de voedingsadapter (D) aan op een langere kabel (G of H) .
Kan twee SpeedComforts (A) niet met elkaar verbinden middels de meegeleverde 30 cm koppelkabel (F) .	De afstand is te groot / de kabel is te kort.	Koop een extra 60 cm of 120 cm kabel (G of H) om de SpeedComforts (A) met elkaar te verbinden.
De temperatuursensor (E) kan de warmwatertoevoerbuï niet bereiken.	De kabel van de temperatuursensor is te kort.	Koop een extra 60 cm of 120 cm kabel (G of H) en sluit de kabel van de temperatuursensor aan. De temperatuursensor (E) kan ook aan de achterkant van de radiator worden bevestigd.

<p>De SpeedComfort (A) kan niet tussen de muur en de enkelplaat radiator worden aangebracht.</p>	<p>De ruimte is meestal te klein (minder dan 70 mm).</p>	<p>Volg de instructies voor installatie van een enkelplaat radiator op. Als er onvoldoende ruimte is tussen de achterkant van de radiator en de muur, breng dan de voetjes (C) aan op de SpeedComfort (A) en plaats het product op de vloer onder de radiator.</p>
<p>SpeedComfort (A) werkt niet nadat deze op het stopcontact is aangesloten.</p>	<p>De temperatuursensor (E) detecteert geen temperatuur van 33 °C of hoger of de SpeedComfort (A) krijgt geen spanning.</p>	<ul style="list-style-type: none"> • Zorg ervoor dat de radiator minimaal 33 graden is. • Zorg ervoor dat de temperatuursensor (E) aan de warmwatertoevoerbuïs is bevestigd, of bevestig de sensor vlak bij deze buïs op de radiator waar deze warm wordt. • Zorg ervoor dat de temperatuursensor (E) goed contact maakt. • Als de radiator niet goed opwarmt, ontlucht de cv-installatie dan en overweeg om de cv-installatie waterzijdig te laten inregelen. • Controleer of het stopcontact in orde is en of de voedingsadapter (D) goed in het stopcontact zit.
<p>Kan de temperatuursensor (E) niet op de convector bevestigen.</p>	<p>Convectoren die zijn gemaakt van koper of aluminium, zijn niet magnetisch.</p>	<p>Gebruik het meegeleverde klittenband om de temperatuursensor (E) te bevestigen, of klem de temperatuursensor tussen twee van de dunne plaatjes in het convectorblok.</p>
<p>De SpeedComfort (A) lijkt de warmteafgifte van de radiator niet te verhogen.</p>	<p>De SpeedComfort (A) is mogelijk naar beneden gericht. Hierdoor stroomt de lucht in de verkeerde richting; tegen de stroom in, in plaats van met de stroom mee.</p>	<p>Draai de SpeedComfort (A) om zodat de SpeedComfort (A) naar boven gericht is. De bovenkant is de kant waar de ventilatoren drie witte beschermstrips hebben.</p>

Er wordt geen 22% op de energierekening bespaard.	De cv-installatie is niet voldoende geoptimaliseerd of de cv-installatie werkte al optimaal vóór het aanbrengen van de SpeedComforts (A).	Optimaliseer de cv-installatie (zie paragraaf 4.3) door de SpeedComforts (A) over de hele woning te verdelen, de temperatuur van de cv-ketel in te stellen en de installatie waterzijdig in te regelen. Als de cv-installatie al vóór de installatie van de SpeedComforts (A) optimaal werkte, dan is het wellicht niet mogelijk om 22% te besparen. Ook kan het gedrag van de gebruikers invloed hebben op de maximaal te behalen besparing.
Oude gietijzeren radiator of enkelplaat radiator met een afstand < 55 mm tussen plaat en muur.	Geen van de 4 vermelde soorten radiatoren.	Breng de voetjes (C) aan op de SpeedComfort (A) en plaats het product op de vloer onder de radiator.
De SpeedComfort (A) maakt te veel geluid wanneer deze op de convector wordt geplaatst.	Dit kan contactgeluid zijn.	Zorg ervoor dat de SpeedComfort (A) geen metalen delen raakt. Om deze reden moeten ook de voeten (C) worden bevestigd.
De SpeedComfort (A) schakelt niet uit wanneer de radiator uit staat / koud is.	De temperatuursensor (E) schakelt het product niet uit.	Zorg ervoor dat de SpeedComfort (A) op de juiste wijze op de temperatuursensor (E) aangesloten is.

Antwoorden op veelgestelde vragen (FAQ's) vindt u op: www.speedcomfort.nl.

7. Afvalverwijdering

7.1. Verwijdering van het product als afval



Dit symbool op het product, geeft aan dat dit product niet mag worden behandeld als normaal huishoudelijk afval, maar gescheiden moet worden ingezameld! Lever het product in bij een inzamelpunt voor het recyclen van afgedankte elektrische en elektronische apparaten als u binnen de EU woont of in

andere Europese landen die aparte inzamelingssystemen hebben voor afgedankte elektrische en elektronische apparaten. Door het product op de juiste manier als afval te verwijderen, helpt u mogelijk risico voor het milieu en de volksgezondheid te voorkomen, dat anders zou kunnen ontstaan door een verkeerde behandeling van afgedankte apparatuur. Het recyclen van materialen draagt bij aan het behoud van onze natuurlijke hulpbronnen. Daarom mag u uw afgedankte elektrische en elektronische apparaten niet weggooien met het normale huishoudelijk afval.

7.2. Verwijdering van het verpakkingsmateriaal als afval

Voer het verpakkingsmateriaal af via uw plaatselijke recyclingfaciliteit. Door het verpakkingsmateriaal en verpakkingsafval op de juiste manier als afval te verwijderen, helpt u mogelijk risico voor het milieu en de volksgezondheid te voorkomen.

www.speedcomfort.com

