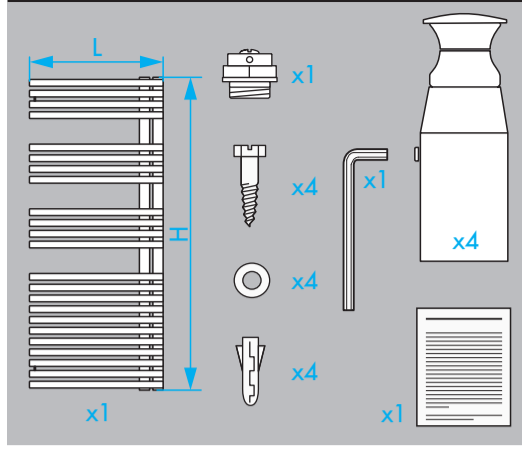
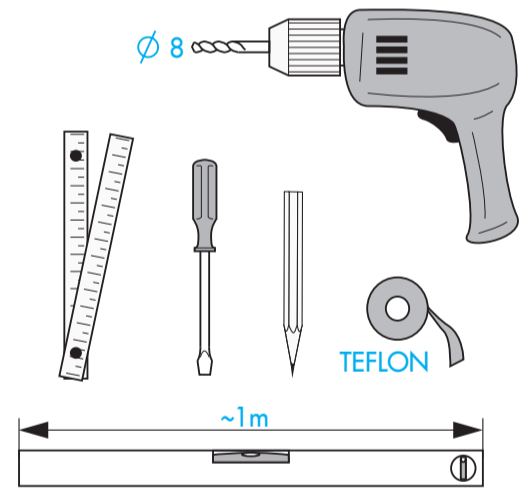
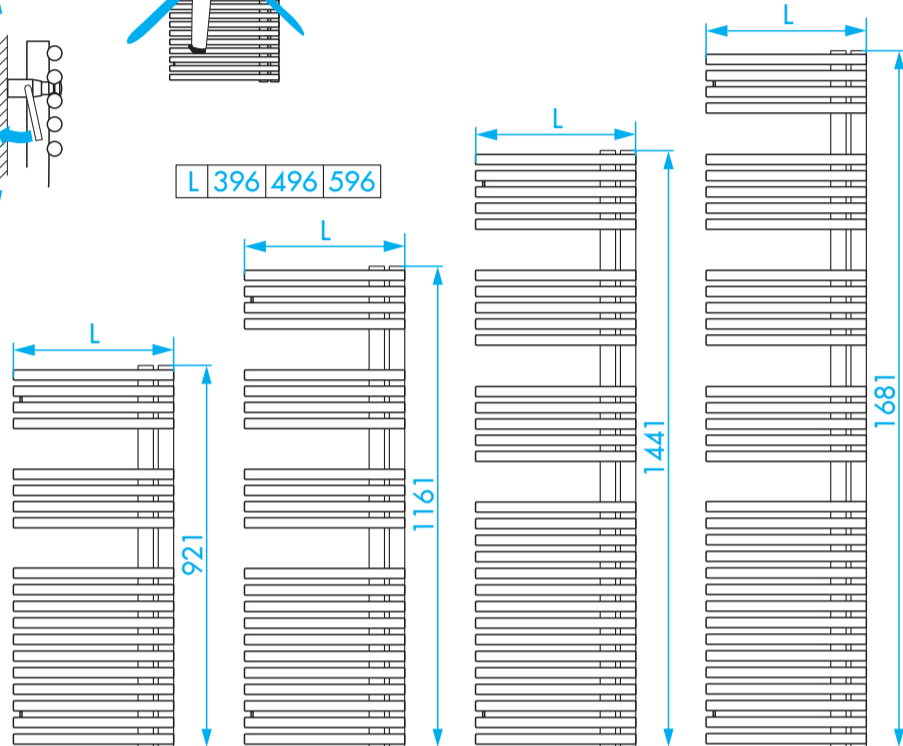
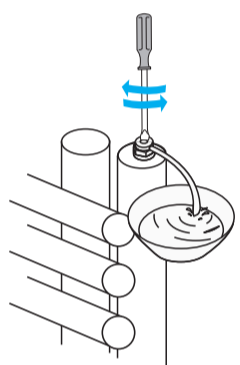
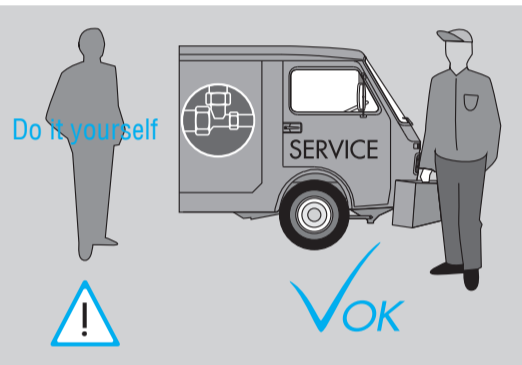
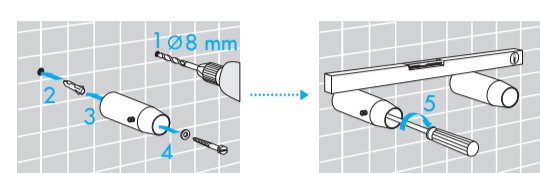
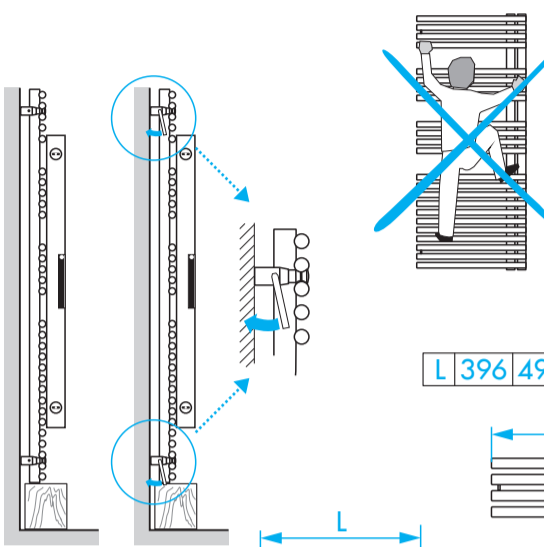
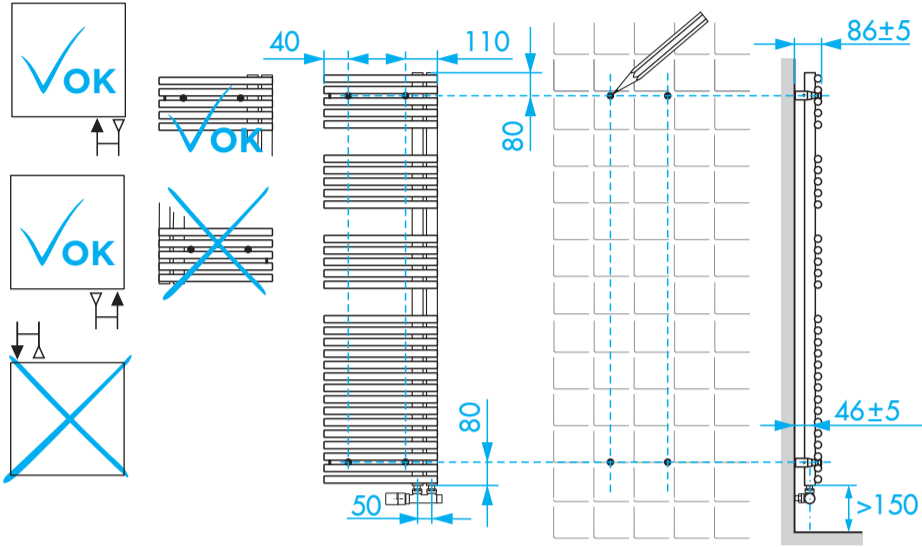
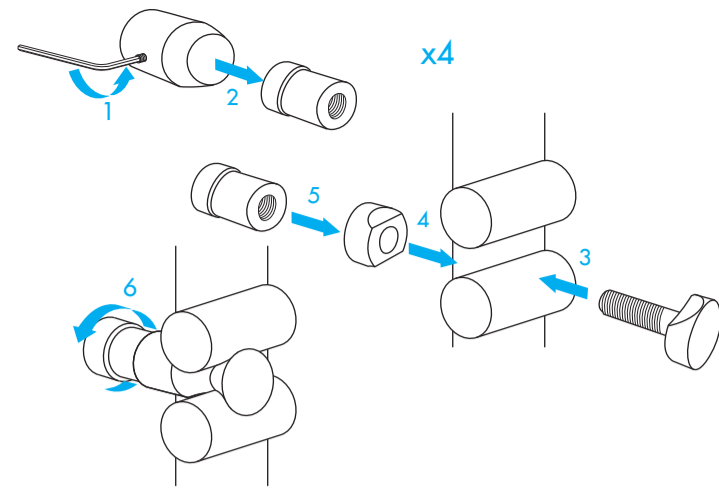
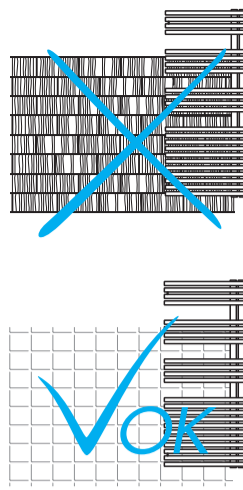


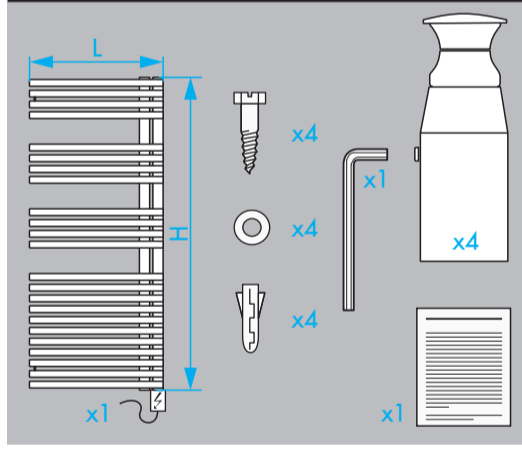
P25-M / P25-F



© Copyright by PBO 01/15 1015002



P25-ME / P25-FE



© Copyright by PBO 01/15 1015002

